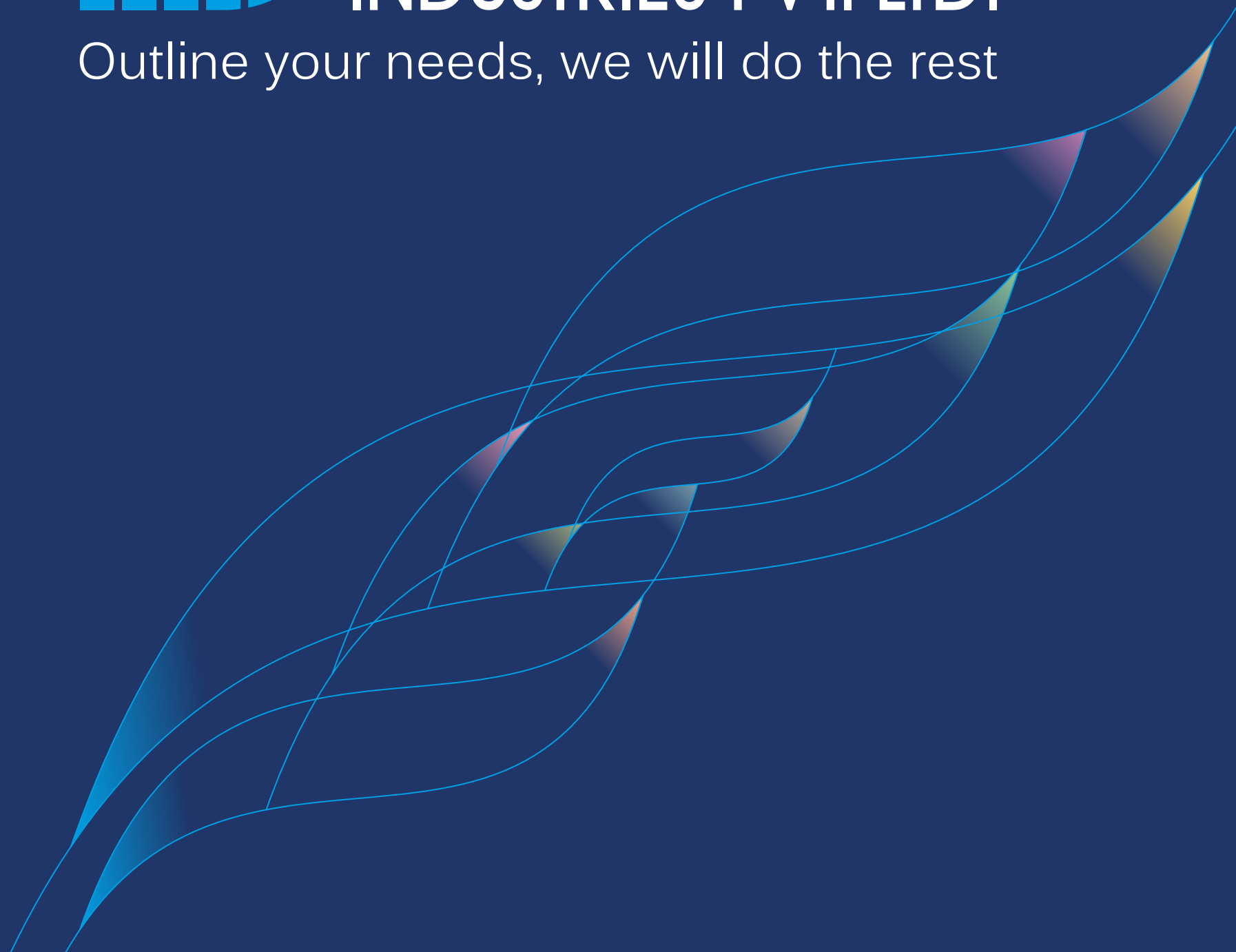




Outline your needs, we will do the rest





01. "U" Handle.....	32	21. Winged Knob.....	154
02. Swing Handle.....	46	22. Folding Revolving Handle.....	157
03. Stay Handle.....	47	23. Fixed Handle.....	158
04. Extrusion Handle.....	48	24. Revolving Handle.....	160
05. Pipe Handle.....	55	25. Crank Handle.....	162
06. Emergency Handle.....	70	26. Hand Wheel.....	167
07. Recessed Handle.....	74	27. Leveling Base.....	182
08. Crate Handle.....	77	28. Anti-Vibration Leveling Base.....	209
09. Flush Pull Handle.....	78	29. Leveling Foot Castor.....	211
10. Push Handle.....	79	30. Door Stopper.....	213
11. Angular Handle.....	80	31. Index Plunger.....	215
12. Press Handle.....	81		
13. Lever Handle.....	82		
14. Adjustable Handle.....	83		
15. Shell Knob.....	118		
16. Pull Knob.....	120		
17. Knurled Knob.....	124		
18. Latch Knob.....	125		
19. Thumb Knob.....	126		
20. Lobed Knob.....	128		



Handles A

“U” Handle

page
A 32-45

Extrusion Handle

page
A 48-54

Switch with Handle

page
A 70

Crate Handle

page
A 77

Angular Handle

page
A 80

Adjustable Handle

page
A 83-117

Swing Handle

page
A 46

Emergency Handle

page
A 71-73

Flush Pull Handle

page
A 78

Press Handle

page
A 81

Pipe Handle

page
A 55-69

Stay Handle

page
A 47

Recessed Handle

page
A 74-76

Push Handle

page
A 79

Lever Handle

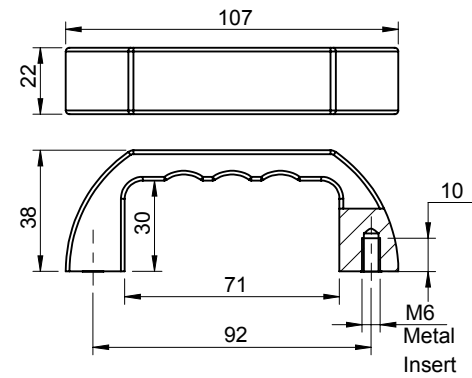
page
A -82

Shell Knob

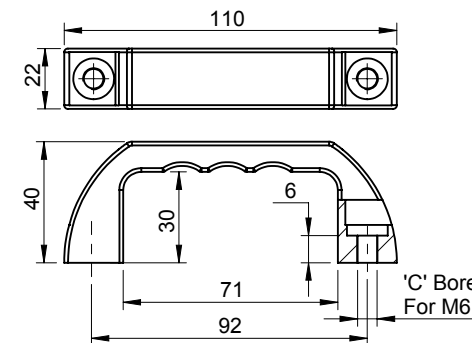
page
A 118-119

Handles

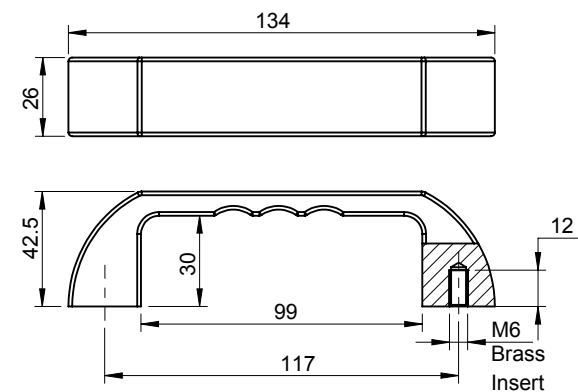
"U" Handle



Product Code	Material	Load Capacity (Kg)
DHURI-92	Polyamide	182



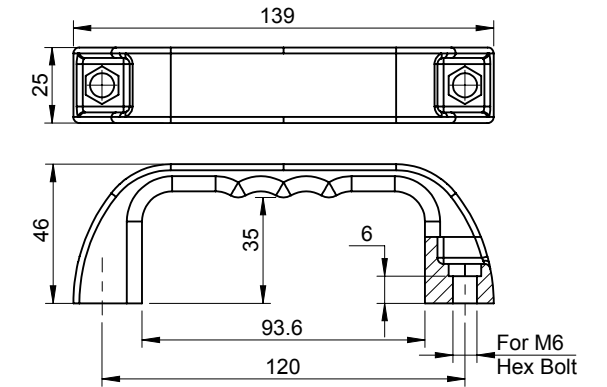
Product Code	Material	Load Capacity (Kg)
DHURS-92	Polyamide	250



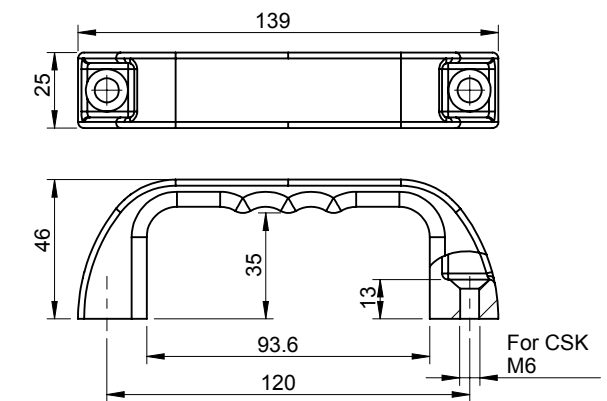
Product Code	Material	Load Capacity (Kg)
DHURI-117	Polyamide	170

Handles

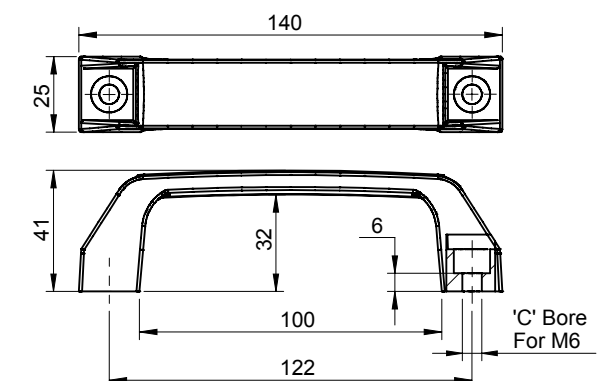
"U" Handle



Product Code	Material	Load Capacity (Kg)
DHURH-120	Polyamide	250



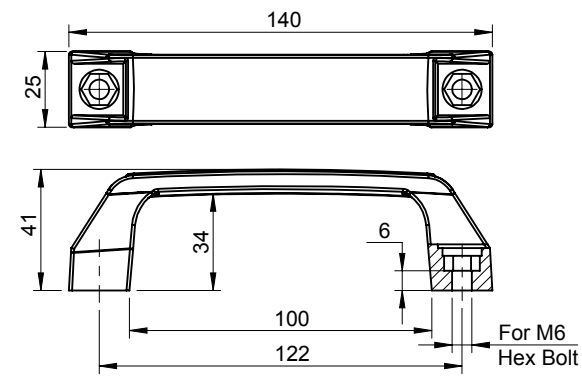
Product Code	Material	Load Capacity (Kg)
DHURC-120	Polyamide	250



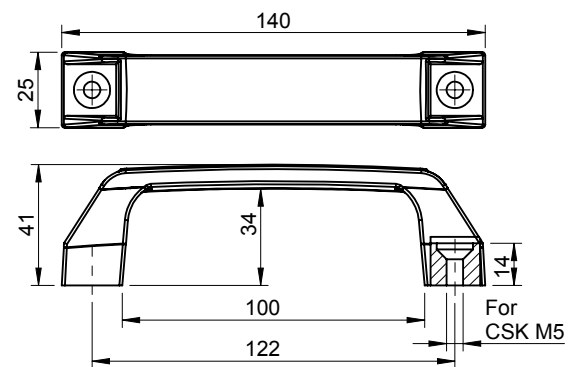
Product Code	Material	Load Capacity (Kg)
DHURS-122	Polyamide	200

Handles

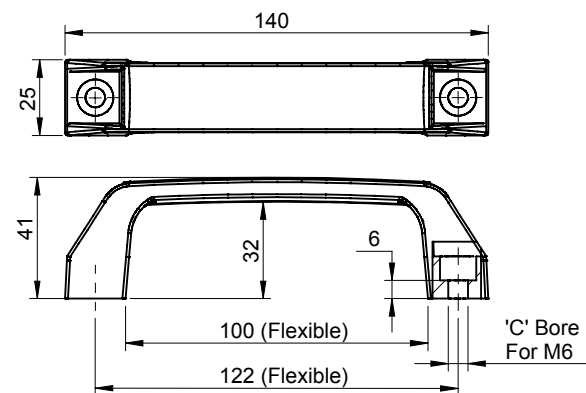
"U" Handle



Product Code	Material	Load Capacity (Kg)
DHURH-122	Polyamide	200



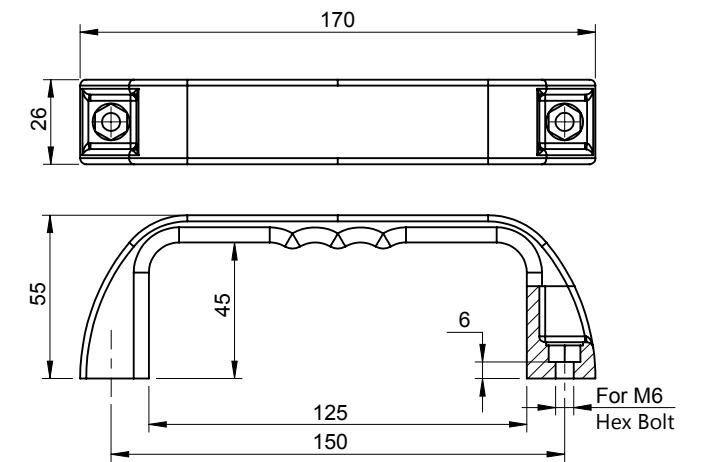
Product Code	Material	Load Capacity (Kg)
DHURC-122	Polyamide	150



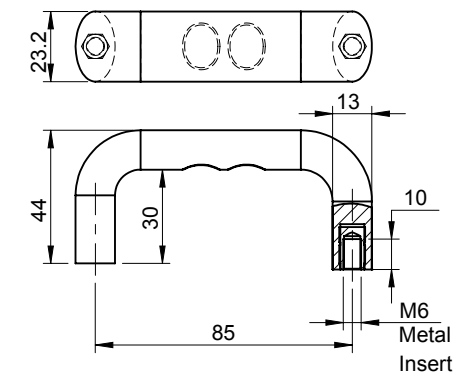
Product Code	Material	Load Capacity (Kg)
DHURS-122-R	TPE	77

Handles

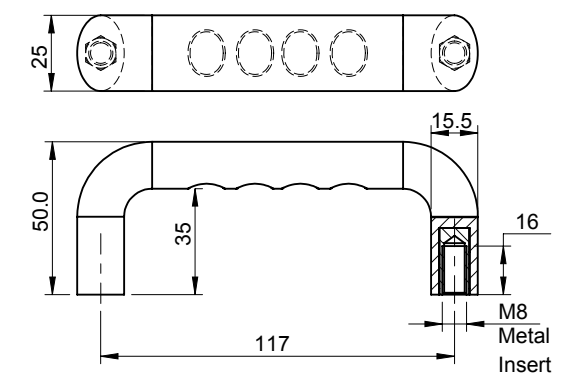
"U" Handle



Product Code	Material	Load Capacity (Kg)
DHURH-150	Polyamide	275



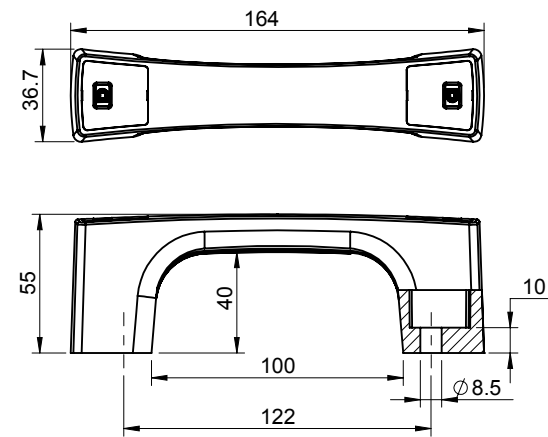
Product Code	Material	Load Capacity (Kg)
DHUG-85	Polyamide	275



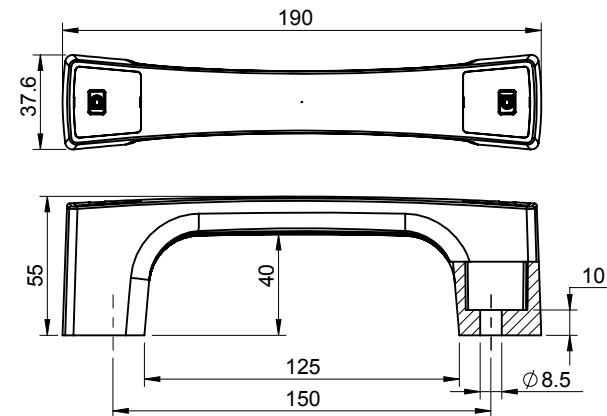
Product Code	Material	Load Capacity (Kg)
DHUG-117	Polyamide	350

Handles

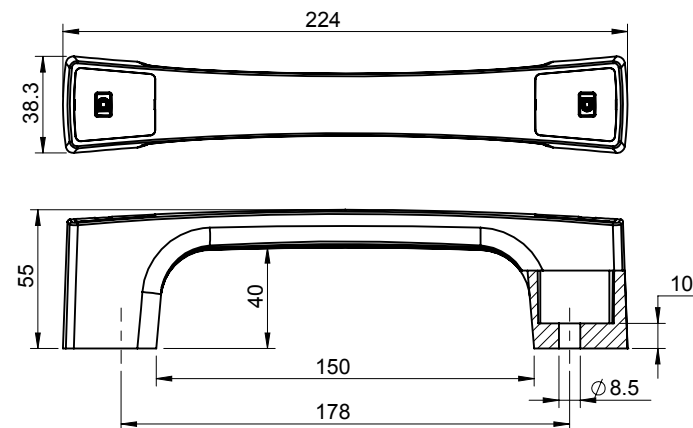
"U" Handle



Product Code	Material	Load Capacity (Kg)
DHUF-122	Polyamide	80



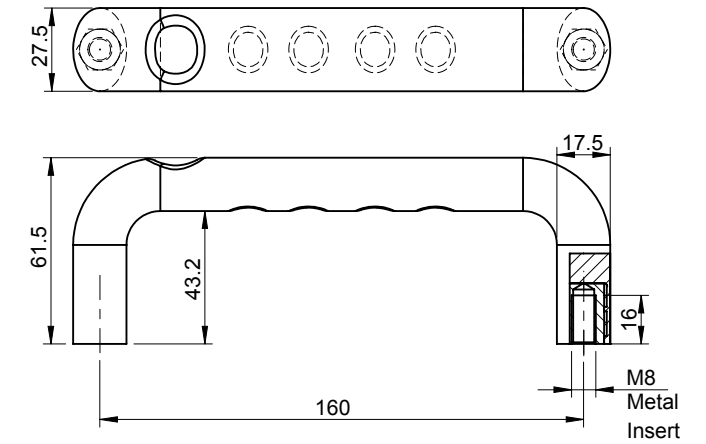
Product Code	Material	Load Capacity (Kg)
DHUF-150	Polyamide	100



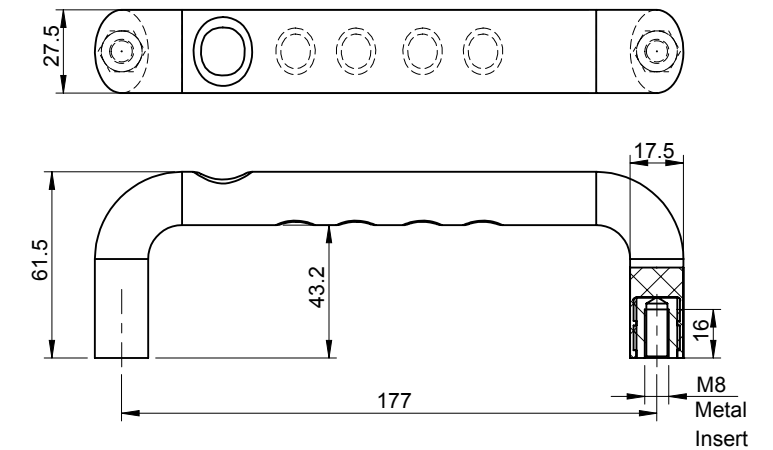
Product Code	Material	Load Capacity (Kg)
DHUF-178	Polyamide	100

Handles

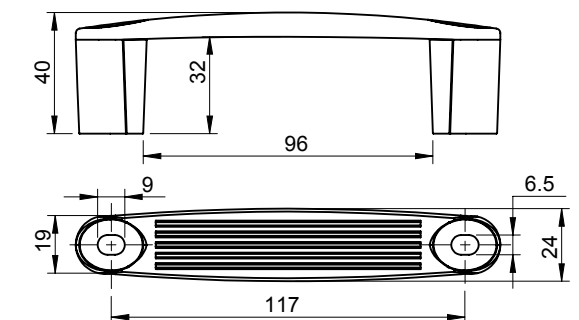
"U" Handle



Product Code	Material	Load Capacity (Kg)
DHUG-160	Polyamide	300



Product Code	Material	Load Capacity (Kg)
DHUG-175	Polyamide	260

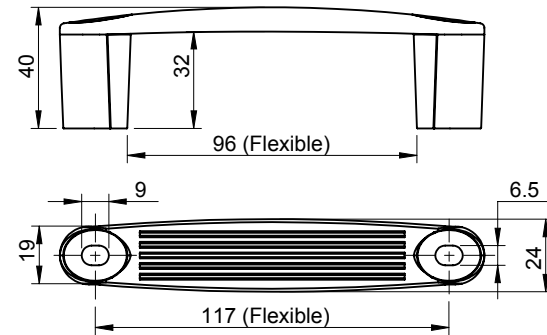


Product Code	Material	Load Capacity (Kg)
DHUA-117-C	Polyamide	75

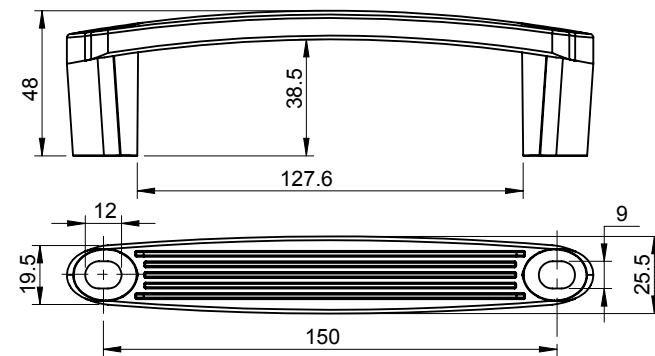
Standard Cap Colour is Black. Blue, Red & Yellow Caps are available on a minimum order of 50 nos each.

Handles

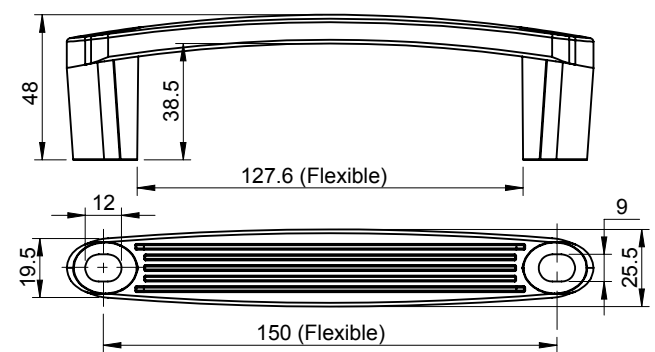
"U" Handle



Product Code	Material	Load Capacity (Kg)
DHUA-117-C-R	TPE	63
Standard Cap Colour is Black. Blue, Red & Yellow Caps are available on a minimum order of 50 nos each.		



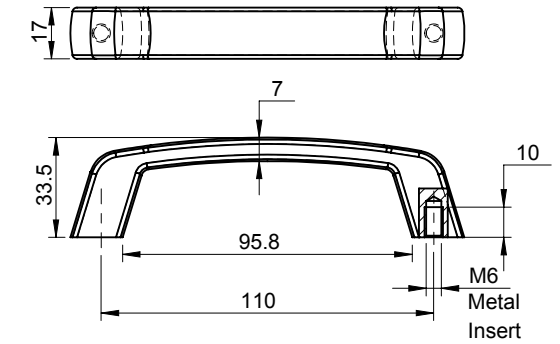
Product Code	Material	Load Capacity (Kg)
DHUA-150-C	Polyamide	100
Standard Cap Colour is Black. Blue, Red & Yellow Caps are available on a minimum order of 50 nos each.		



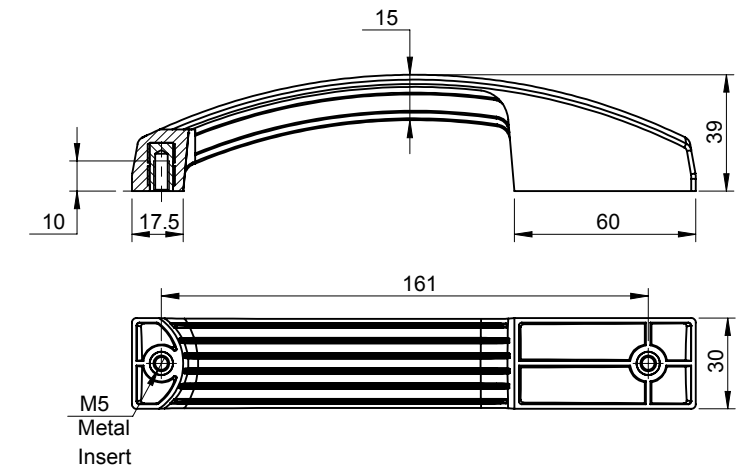
Product Code	Material	Load Capacity (Kg)
DHUA-150-C-R	TPE	77
Standard Cap Colour is Black. Blue, Red & Yellow Caps are available on a minimum order of 50 nos each.		

Handles

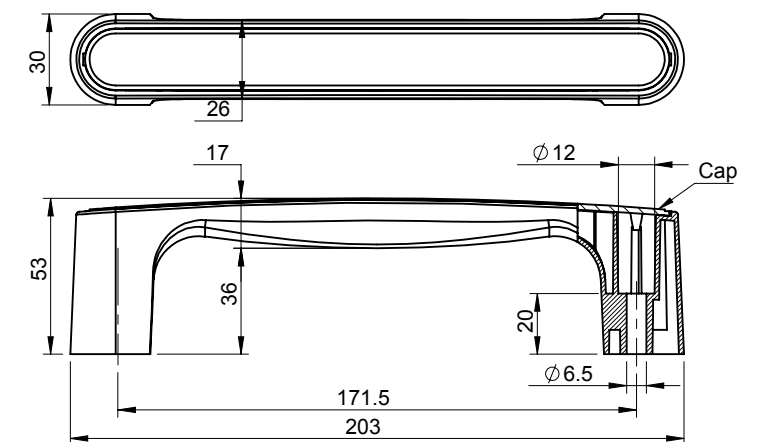
"U" Handle



Product Code	Material	Load Capacity (Kg)
DHURI-110	Polyamide	115



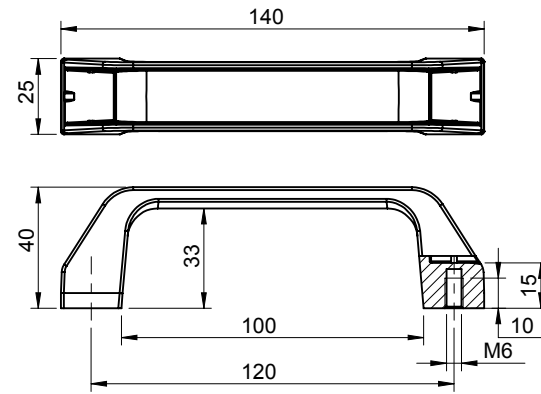
Product Code	Material	Load Capacity (Kg)
DHAI-161	Polyamide	



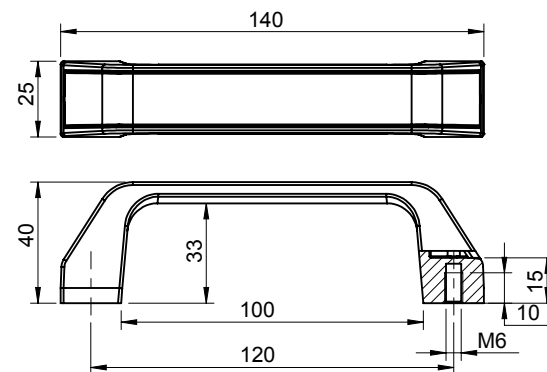
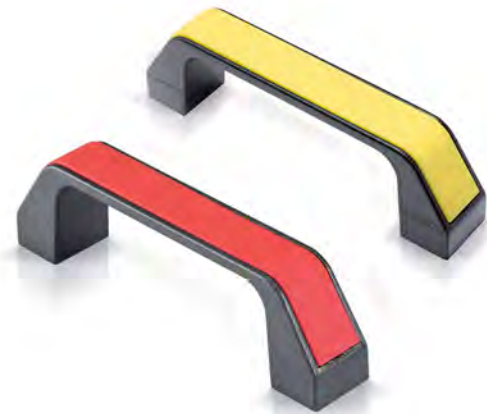
Product Code	Material	Load Capacity (Kg)
DHURS-171	Polyamide	30

Handles

"U" Handle



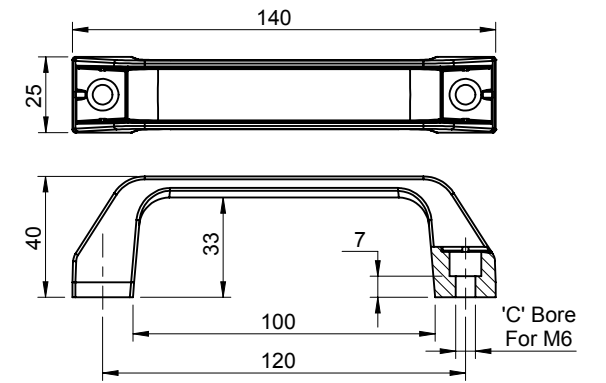
Product Code	Material	Finish	Load Capacity (Kg)
DHUZ-120	Zinc	Black PC	200



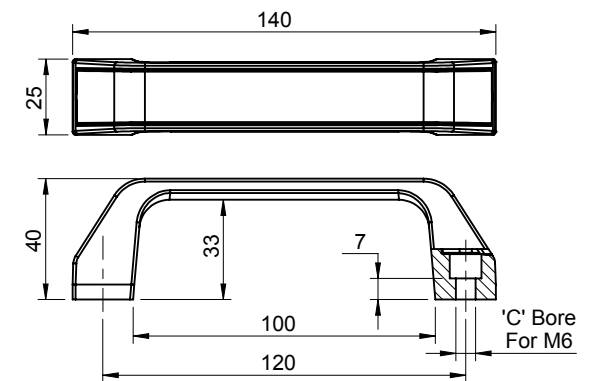
Product Code	Handle Material	Cover Material	Cover Colour	Finish	Load Capacity (Kg)
DHUZ-120-C	Zinc	Polyamide	Yellow, Blue, Red	Black PC	200

Handles

"U" Handle



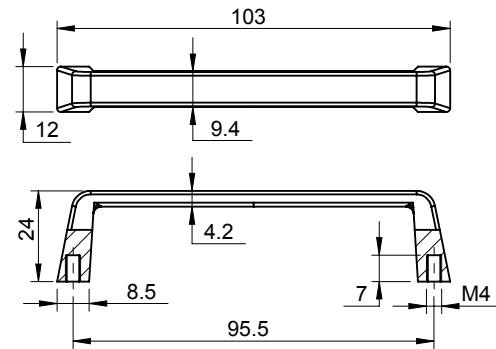
Product Code	Material	Finish	Load Capacity (Kg)
DHUZS-120	Zinc	Black PC	150



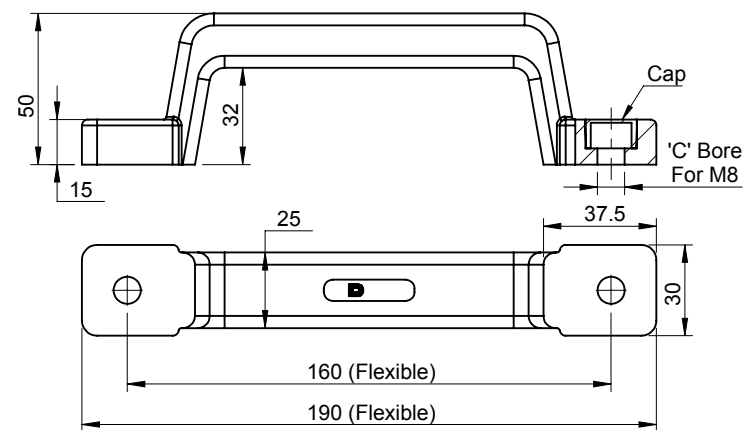
Product Code	Handle Material	Cover Material	Cover Colour	Finish	Load Capacity (Kg)
DHUZS-120-C	Zinc	Polyamide	Yellow, Blue, Red	Black PC	150

Handles

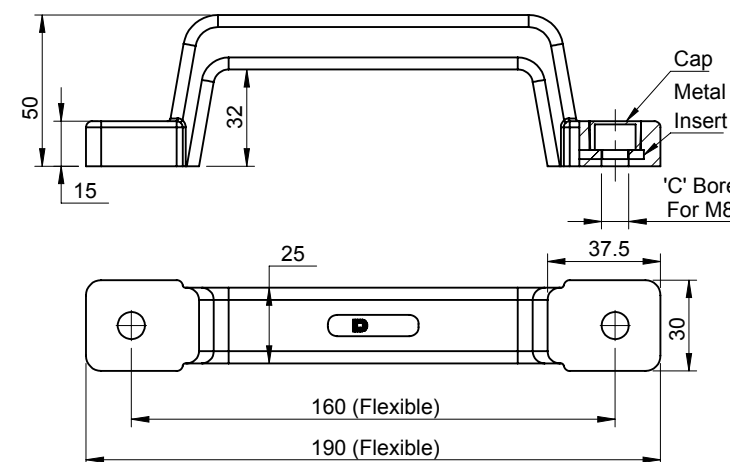
"U" Handle



Product Code	Material	Finish
DHUZ-95	Zinc	Black PC



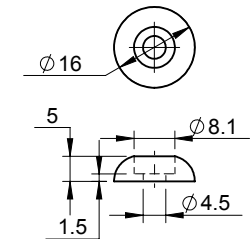
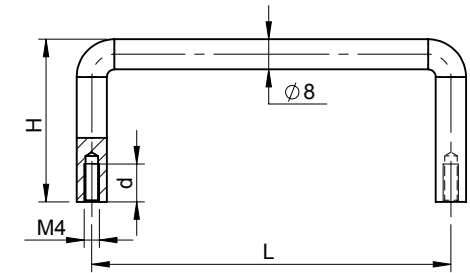
Product Code	Material	Load Capacity (Kg)
DHURS-160-R	TPE	58



Product Code	Material	Load Capacity (Kg)
DHURS-160-RI	TPE with Reinforced Metal Insert	863

Handles

"U" Handle



DHUMC / DHUMC-SS
Cover
To be ordered separately for DHUM series

Product Code	Material	Finish	Length	Height	d
DHUM-5533	MS	CH	55	33	8
DHUM-6225	MS	CH	62	25	8
DHUM-9235	MS	CH	92	35	10
DHUM-9260	MS	CH	92	60	10
DHUM-10028	MS	CH	100	28	10
DHUM-10035	MS	CH	100	35	10
DHUM-10060	MS	CH	100	60	10
DHUM-12540	MS	CH	125	40	10
DHUM-12570	MS	CH	125	70	10
DHUM-15027	MS	CH	150	27	10

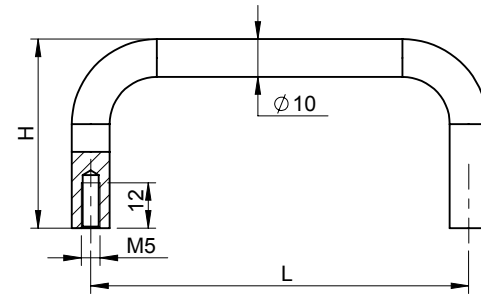
Minimum H : 25mm / Maximum H : 85mm

Non standard sizes are available on minimum order request

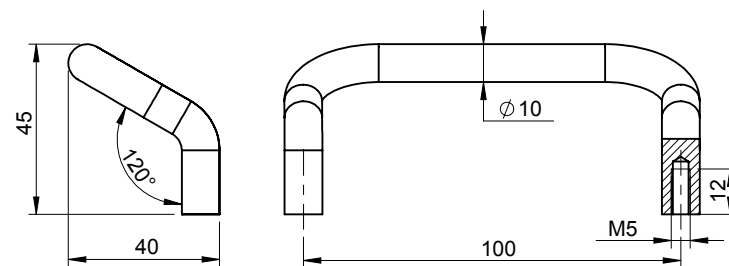
Also available in **SS-304** on minimum order request (MOQ). Finish : Electro Polishing

Handles

"U" Handle



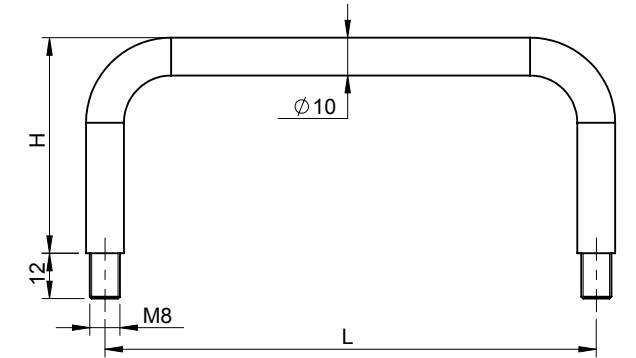
Product Code	Material	Finish	Length	Height
DHUM10-6050	MS	CH	60	50
DHUM10-10038	MS	CH	100	38
DHUM10-10050	MS	CH	100	50
Minimum H : 37mm / Maximum H : 70mm				
Non standard sizes are available on minimum order request				
Also available in SS-304 on minimum order request (MOQ). Finish : Electro Polishing				



Product Code	Material	Finish	Length
DHUMD-10-100	MS	CH	100
DHUMD-10-125	MS	CH	125
Also available in SS-304 on minimum order request (MOQ). Finish : Electro Polishing			

Handles

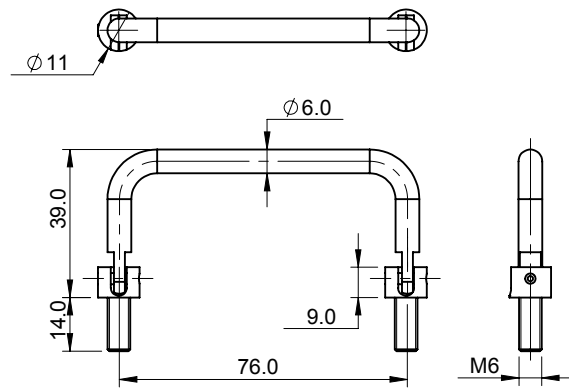
"U" Handle



Product Code	Material	Finish	Length	Height
DHUM10-R-13057	MS	CH	130	57
DHUM10-R-13057-SS	SS-304	Electro Polishing	130	57
Minimum H : 25mm / Maximum H : 58mm				
Non standard sizes are available on minimum order request (MOQ)				

Handles

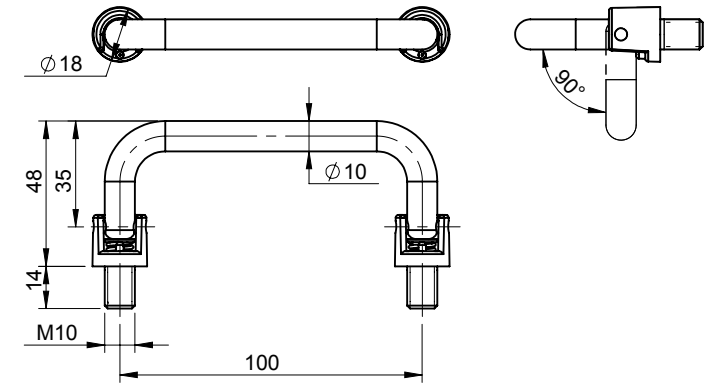
Swing Handle



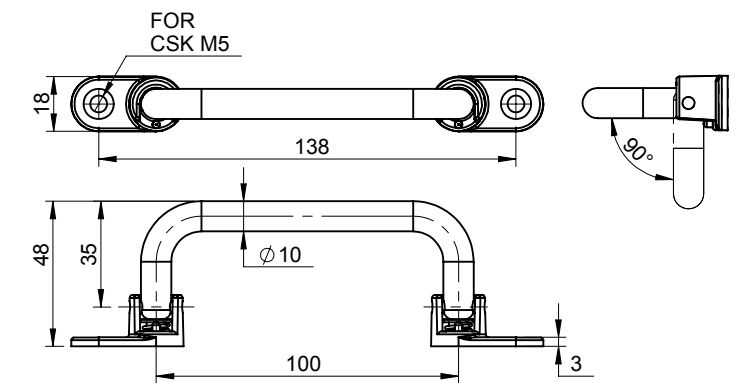
Product Code	Material	Finish	Load Capacity (Kg)
DHM-7632	MS	Black PC	60

Handles

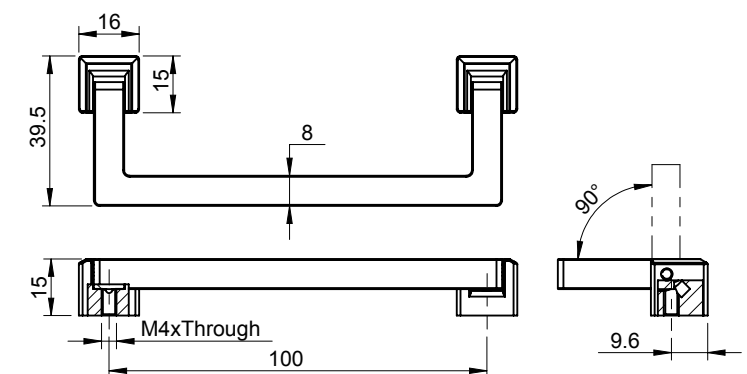
Stay Handle



Product Code	Material	Finish	Load Capacity (Kg)
DHM-10-100-B	SS-304	Electro Polishing	62



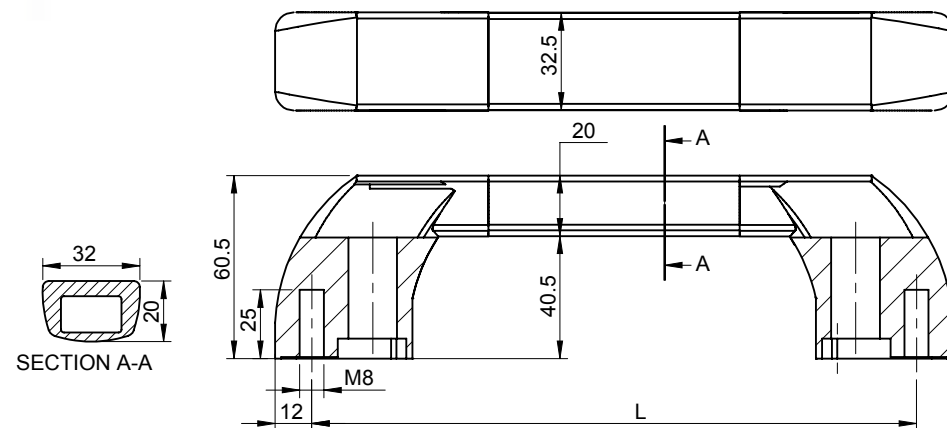
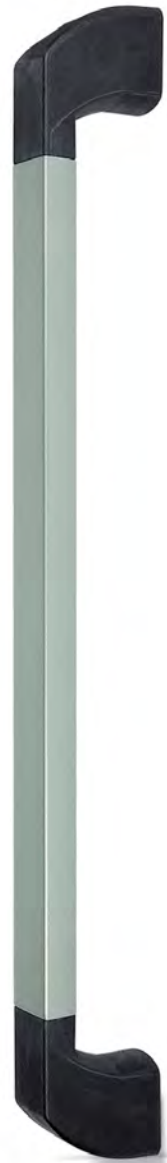
Product Code	Material	Finish	Load Capacity (Kg)
DHM-10-100-F	SS-304	Electro Polishing	62



Product Code	Material	Finish	Load Capacity (Kg)
DHS-100	Zinc	CH	25

Handles

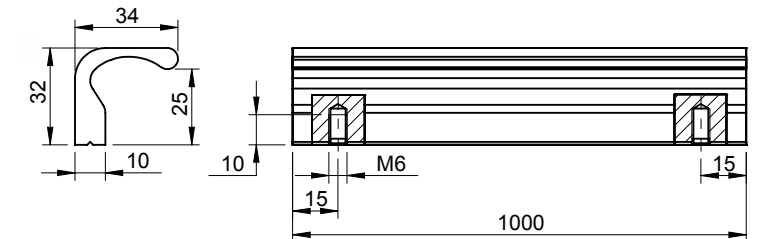
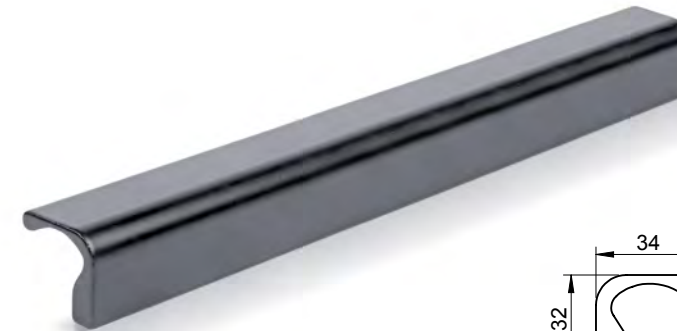
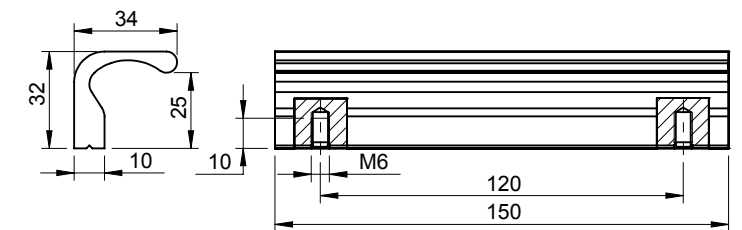
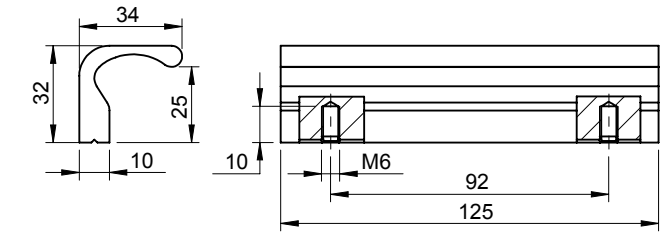
Extrusion Handle



Product Code	Extrusion Material	Extrusion Finish	Length
DHAE-L	Aluminium	SPC	200 To 1000
Aluminium Extrusion-SPC, Polyamide Ends			
Length upto 1 Meter			

Handles

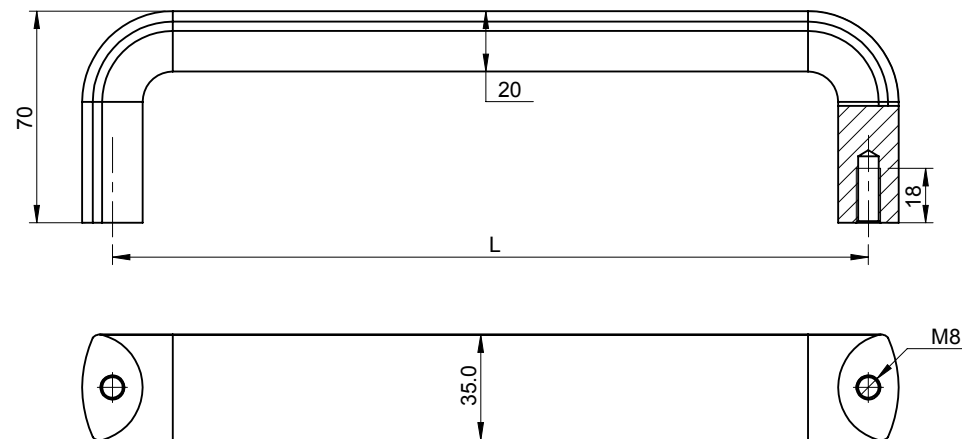
Extrusion Handle



Product Code	Material	Finish	Length
DHAE-2-92-PC	Aluminium	Black PC	92
DHAE-2-92-SPC	Aluminium	SPC	92
DHAE-2-120-PC	Aluminium	Black PC	120
DHAE-2-120-SPC	Aluminium	SPC	120
DHAE-2-1000-PC	Aluminium	Black PC	1000
DHAE-2-1000-SPC	Aluminium	SPC	1000
DHAE-2-1000-RAW	Aluminium	RAW	1000
Standard : Raw Finish, Add Black PC for Black Powder Coating, Add SPC for Silver Sparkle Powder Coating.			

Handles

Extrusion Handle

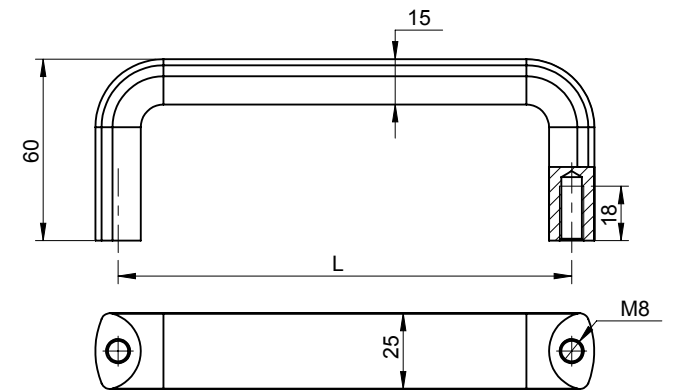


Product Code	Material	Finish	Length
DHAE-3-250	Aluminium	Black PC	250
DHAE-3-300	Aluminium	Black PC	300
DHAE-3-400	Aluminium	Black PC	400
DHAE-3-500	Aluminium	Black PC	500
DHAE-3-600	Aluminium	Black PC	600

Standard : Black PC, Add SPC for Silver Sparkle Powder Coating.

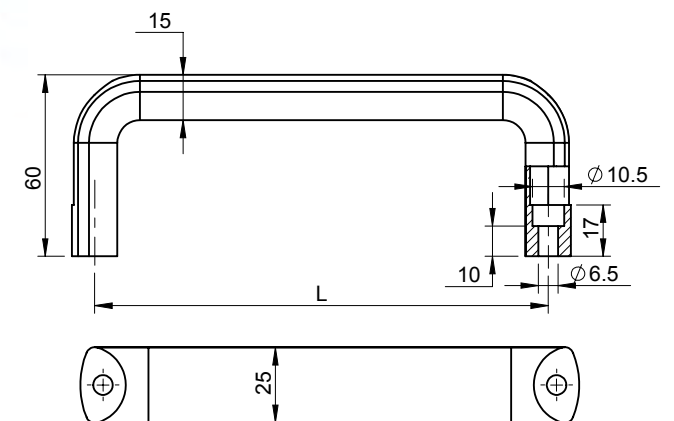
Handles

Extrusion Handle



Product Code	Material	Finish	Length
DHAE-4-128	Aluminium	Black PC	128
DHAE-4-150	Aluminium	Black PC	150
DHAE-4-192	Aluminium	Black PC	192

Standard : Black PC, Add SPC for Silver Sparkle Powder Coating.

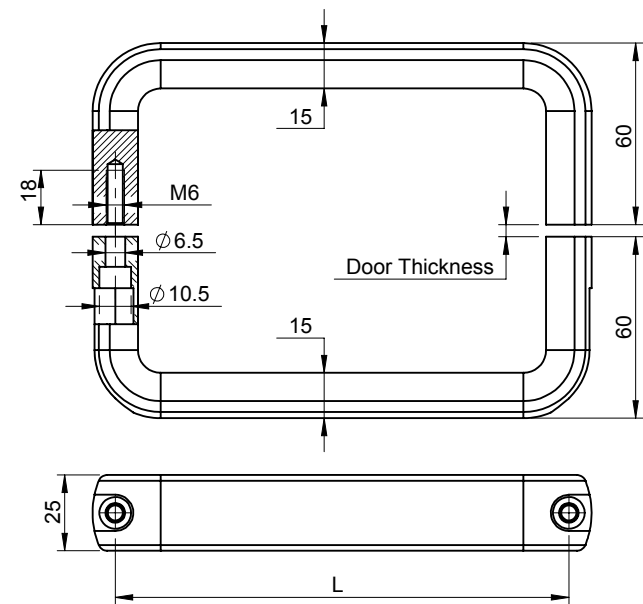


Product Code	Material	Finish	Length
DHFAE-4-128	Aluminium	Black PC	128
DHFAE-4-150	Aluminium	Black PC	150
DHFAE-4-192	Aluminium	Black PC	192

Standard : Black PC, Add SPC for Silver Sparkle Powder Coating.

Handles

Extrusion Handle

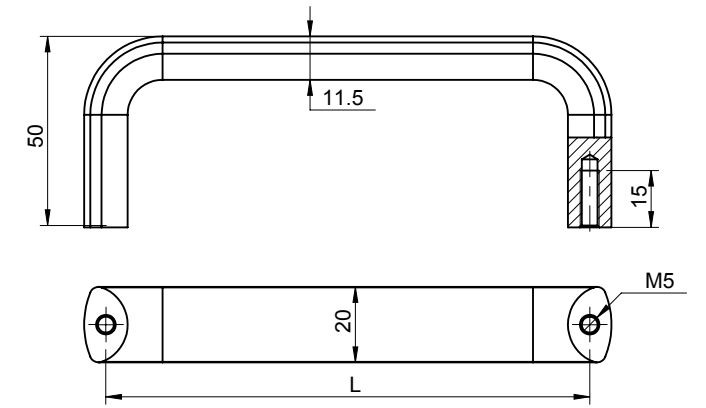


Product Code	Material	Finish	Length
DHFAE-4-U6-128	Aluminium	Black PC	128
DHFAE-4-U6-150	Aluminium	Black PC	150
DHFAE-4-U6-192	Aluminium	Black PC	192

Standard : Black PC, Add SPC for Silver Sparkle Powder Coating.

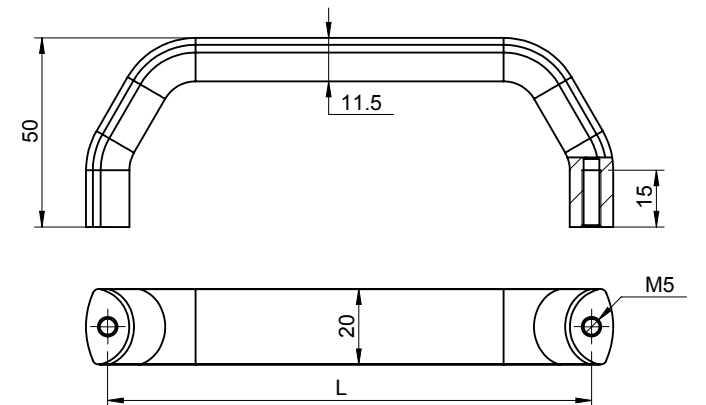
Handles

Extrusion Handle



Product Code	Material	Finish	Length (L)	Load Capacity (Kg)
DHAE-5-128	Aluminium	Black PC	128	-
DHAE-5-150	Aluminium	Black PC	150	-
DHAE-5-192	Aluminium	Black PC	192	-

Standard : Black PC, Add SPC for Silver Sparkle Powder Coating.



Product Code	Material	Finish	Length (L)	Load Capacity (Kg)
DHAEB-5-128	Aluminium	Black PC	128	-
DHAEB-5-150	Aluminium	Black PC	150	-
DHAEB-5-192	Aluminium	Black PC	192	-

Standard : Black PC, Add SPC for Silver Sparkle Powder Coating.

Handles

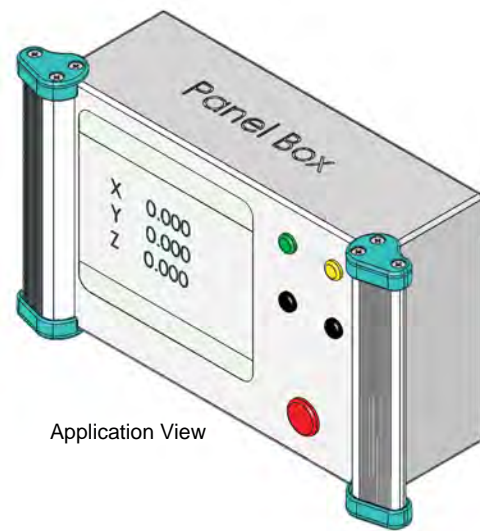
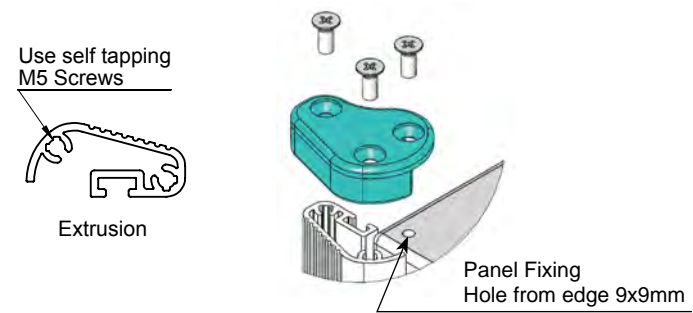
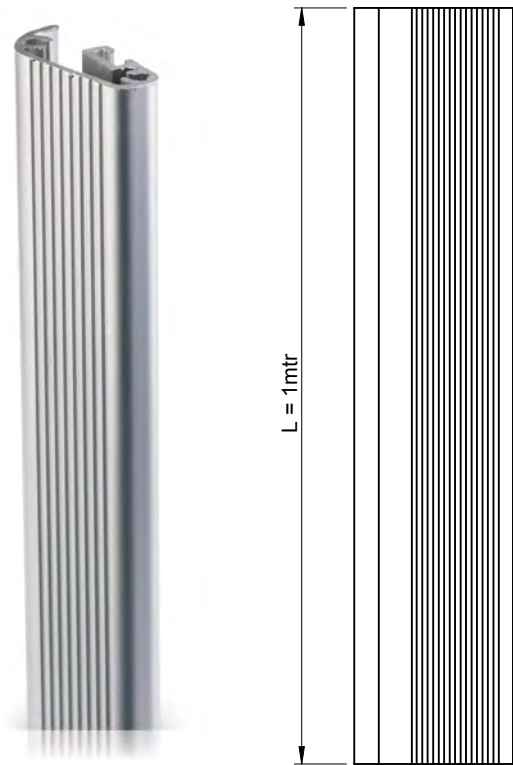
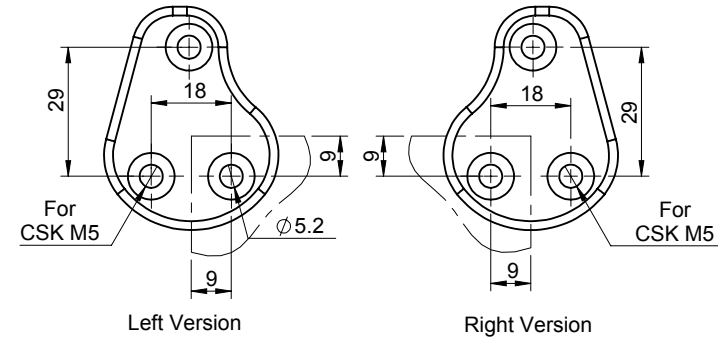
Extrusion Handle



DCA-42200-L



DCA-42200-R

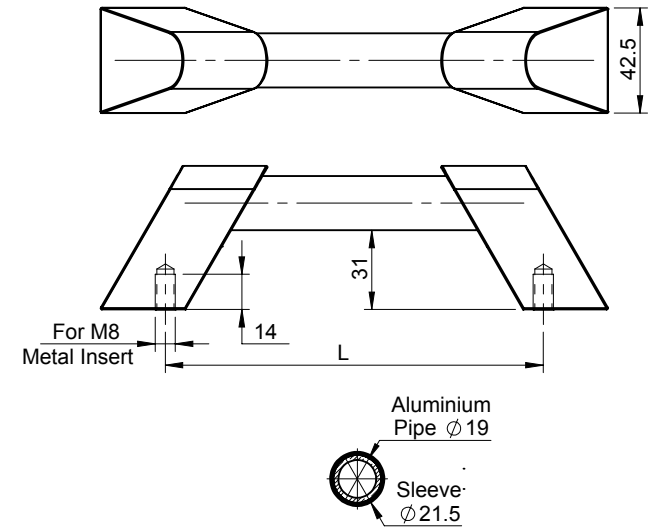


Product Code	Material	Finish
DCA-42200-L	Zinc	Raw
DCA-42200-R	Zinc	Raw
DCA-42100	Aluminium	Raw

1 mtr. Length is Standard

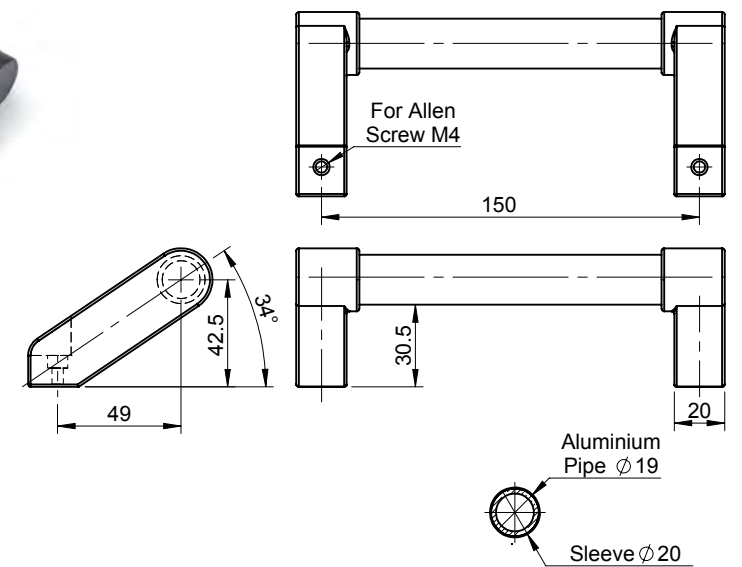
Handles

Pipe Handle



Product Code	Pipe Material	End Material	Pipe Finish	Description
DHEX-L	Aluminium	Polyamide	With Rubber Sleeve	-
DHEX-E	-	Polyamide	-	Ends : Available in pairs only

"L" to be specified

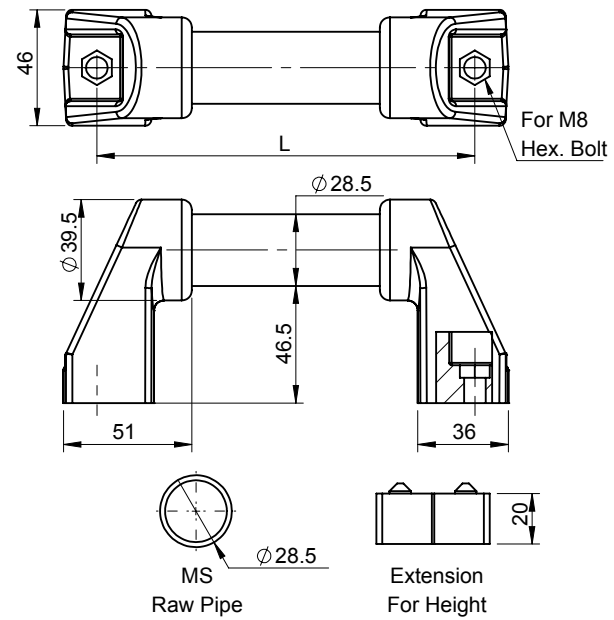
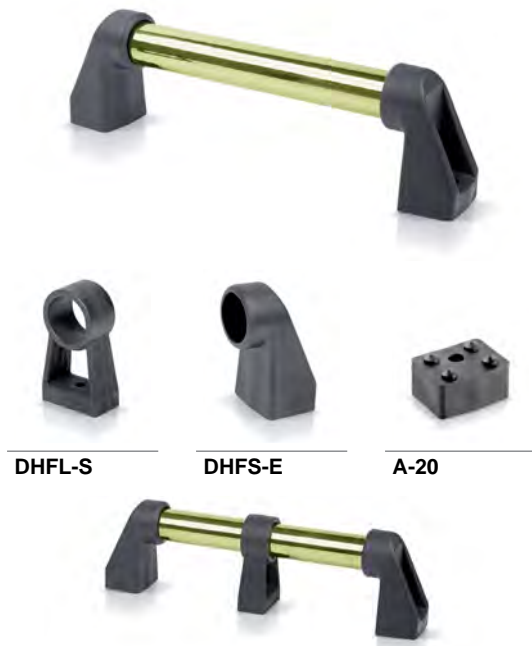


Product Code	Pipe Material	End Material	Pipe Finish	Description
DAH-20-L	Aluminium	Polyamide	With Rubber Sleeve	-
DAH-20-E	-	Polyamide	-	Ends : Available in pairs only

"L" to be specified

Handles

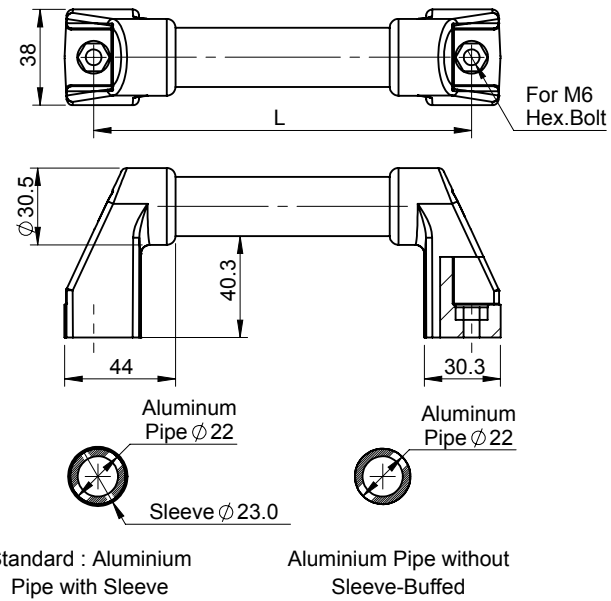
Pipe Handle



Application for DHFL-S

Product Code	Pipe Material	End Material	Finish	Description
DHFL-L	MS	-	Yellow Zinc Plating	-
DHFL-S	-	Polyamide	-	Centre Support
DHFL-E	-	Polyamide	-	Ends : Available in pairs
A-20	-	Polyamide	-	Extension for Height

"L" to be specified

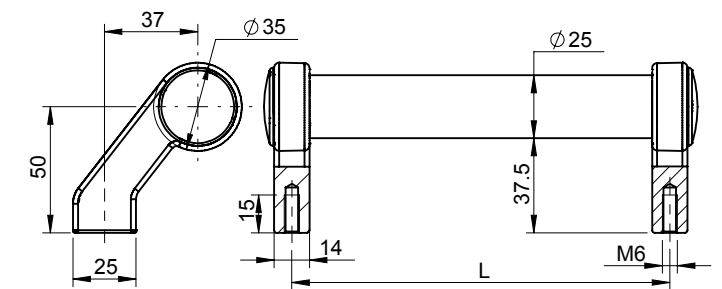


Product Code	Pipe Material	End Material	Pipe Finish	Description
DHFS-L	Aluminium	Polyamide	With Rubber Sleeve	-
DHFS-E	-	Polyamide	-	Ends : Available in pairs

"L" to be specified

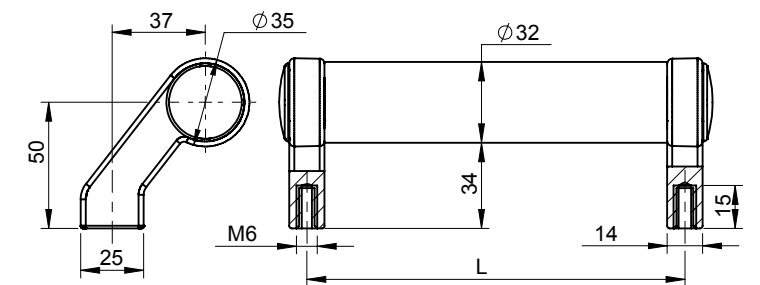
Handles

Pipe Handle



Product Code	Pipe Material	Pipe Finish	End Material	End Finish
DMABH-25-L	Aluminium	Buffed	Zinc	Black PC

"L" to be specified
Laser Marking of Logo available with minimum order quantity

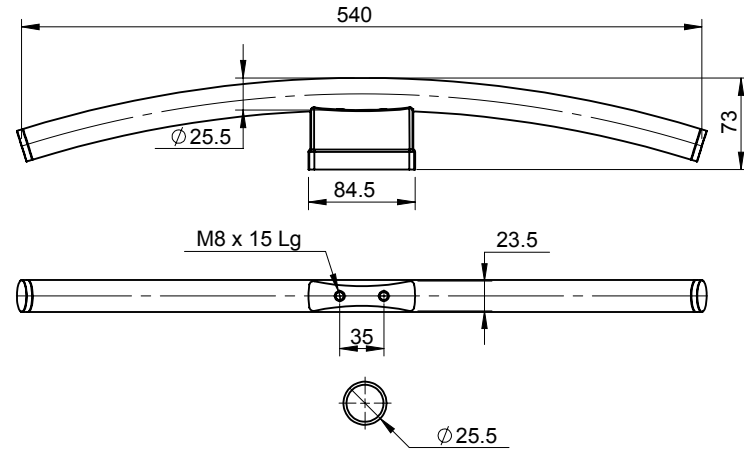


Product Code	Pipe Material	Pipe Finish	End Material	End Finish
DMABH-32-L	Aluminium	Buffed	Zinc	Black PC

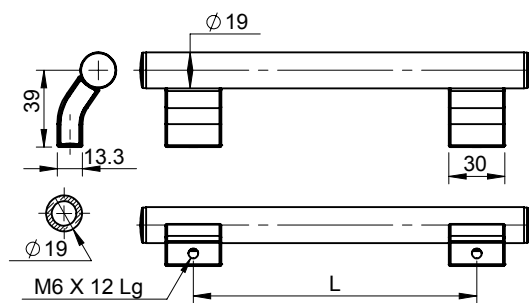
"L" to be specified
Laser Marking of Logo available with minimum order quantity

Handles

Pipe Handle



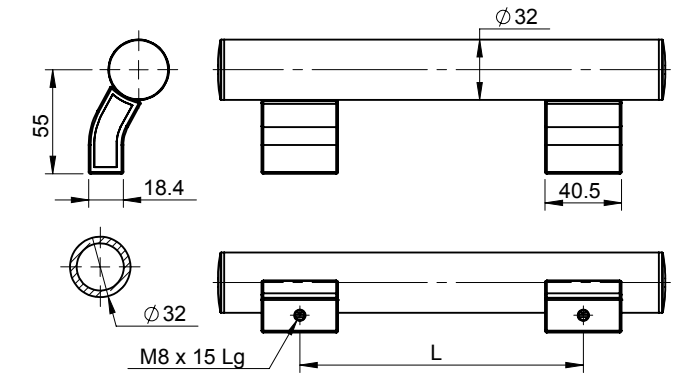
Product Code	Pipe Material	Pipe Finish	Base Material	Base Finish
DMRH5-25-540	SS-304	Buffed	Aluminium	Black PC
Laser Marking of Logo available with minimum order quantity				



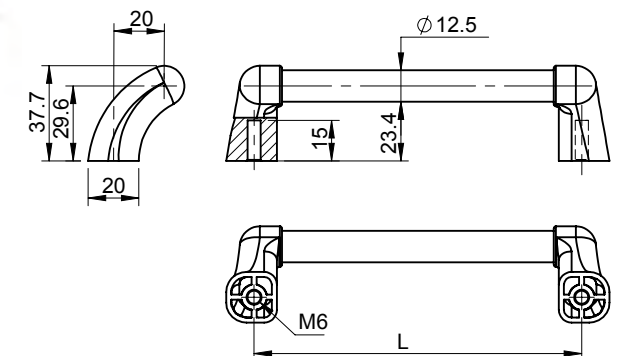
Product Code	Pipe Material	Pipe Finish	Base Material	Base Finish
DMAH-19-L	Aluminium	Buffed	Zinc	Black PC
"L" to be specified				
Laser Marking of Logo available with minimum order quantity				

Handles

Pipe Handle



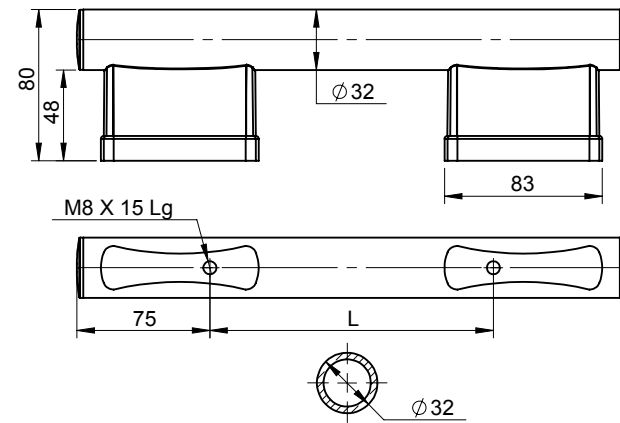
Product Code	Pipe Material	Pipe Finish	Base Material	Base Finish
DMAH-32-L	Aluminium	Buffed	Zinc	Black PC
End Caps & Side Caps are available in Red, Blue & Green Colours on minimum order of 250 nos.				
Standard Cap Colour is Black : DMAH-R/B/G for cap Colours.				
Laser Marking of Logo available with minimum order quantity				



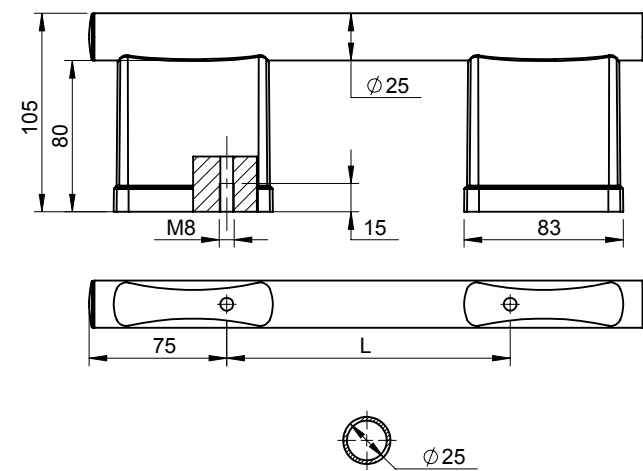
Product Code	Pipe Material	Pipe Finish	End Material
DAH-13-L	Aluminium	Buffed	Poylamide
'L' to be specified.			
Minimum L : 130mm / Maximum L : 250mm			
Laser Marking of Logo available with minimum order quantity			

Handles

Pipe Handle



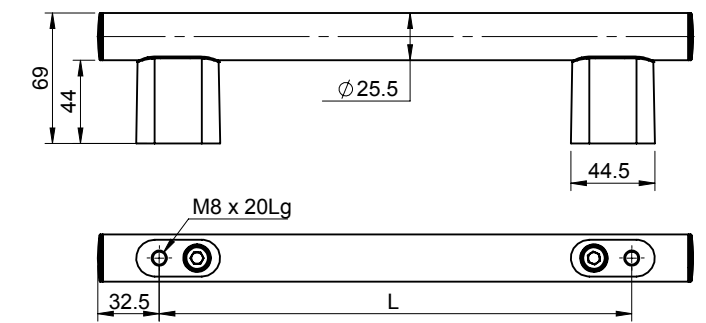
Product Code	Pipe Material	Pipe Finish	Base Material	Base Finish
DMRH6-32-L	Aluminium	Buffed	Zinc	Black PC
"L" to be specified				
Laser Marking of Logo available with minimum order quantity				



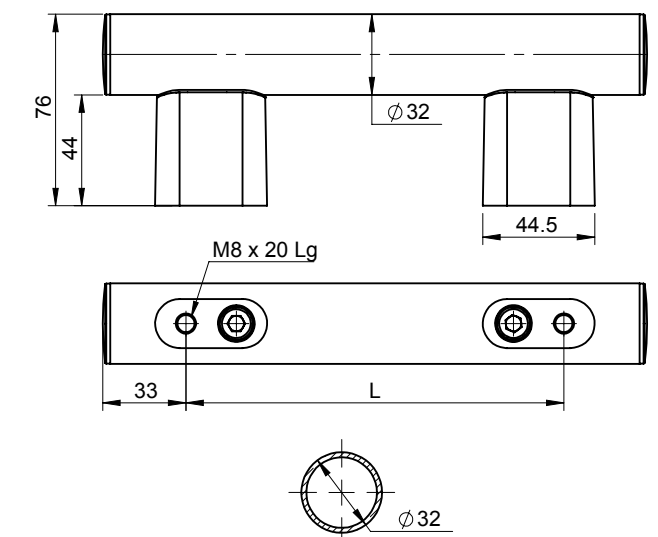
Product Code	Pipe Material	Pipe Finish	Base Material	Base Finish
DMRH7-25-L	SS-304	Buffed	Aluminium	Black PC
"L" to be specified				
Laser Marking of Logo available with minimum order quantity				

Handles

Pipe Handle



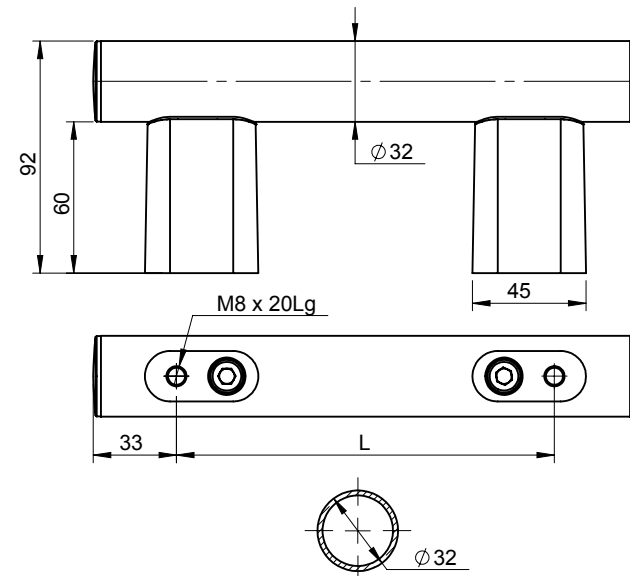
Product Code	Pipe Material	Pipe Finish	Base Material
DHF-44-25-L	SS-304	Buffed	Polyamide
Laser Marking of Logo available with minimum order quantity			



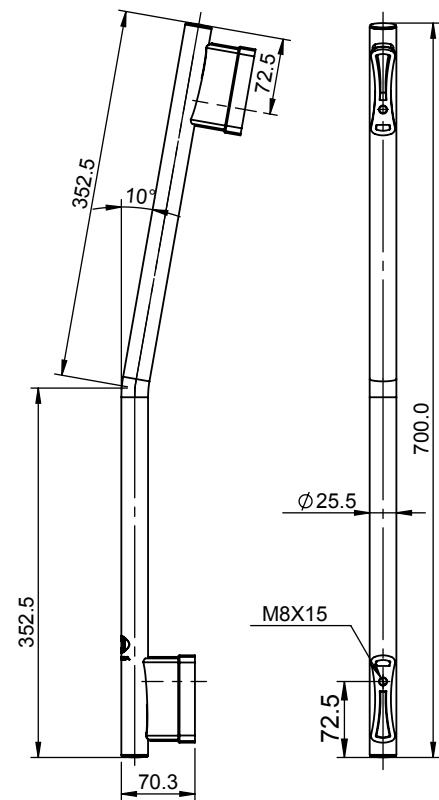
Product Code	Pipe Material	Pipe Finish	Base Material
DHF-44-32-L	Aluminium	Buffed	Poylamide
'L' to be specified.			
Laser Marking of Logo available with minimum order quantity			

Handles

Pipe Handle



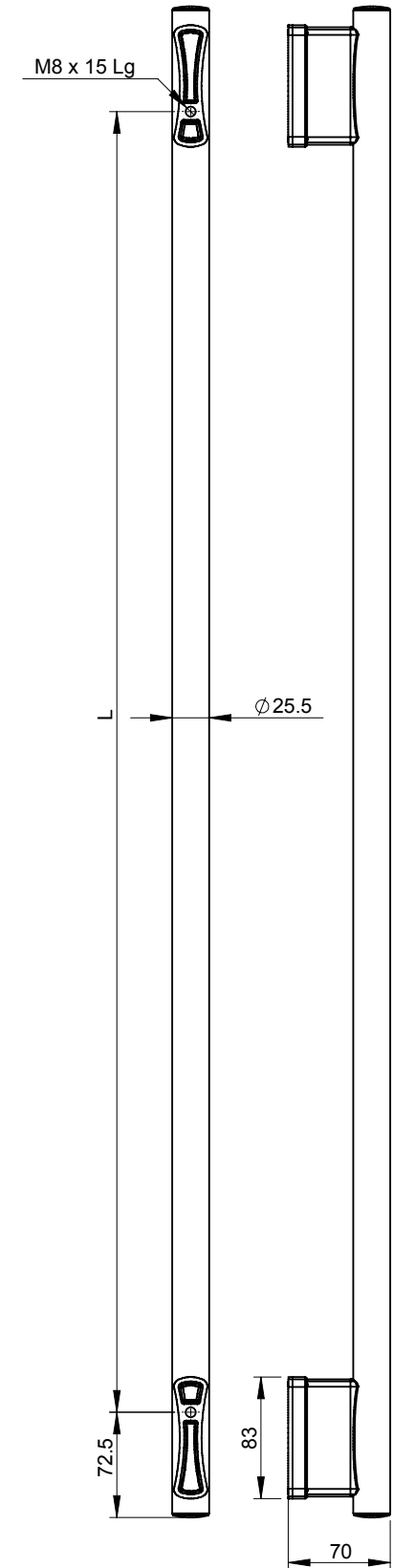
Product Code	Pipe Material	Pipe Finish	Base Material
DHF-60-32-L	Aluminium	Buffed	Poylamide
'L' to specified.			
Laser Marking of Logo available with minimum order quantity			



Product Code	Pipe Material	Pipe Finish	Base Material	Base Finish
DMRH3B-25-700	SS-304	Buffed	Zinc	Black PC
Laser Marking of Logo available with minimum order quantity				

Handles

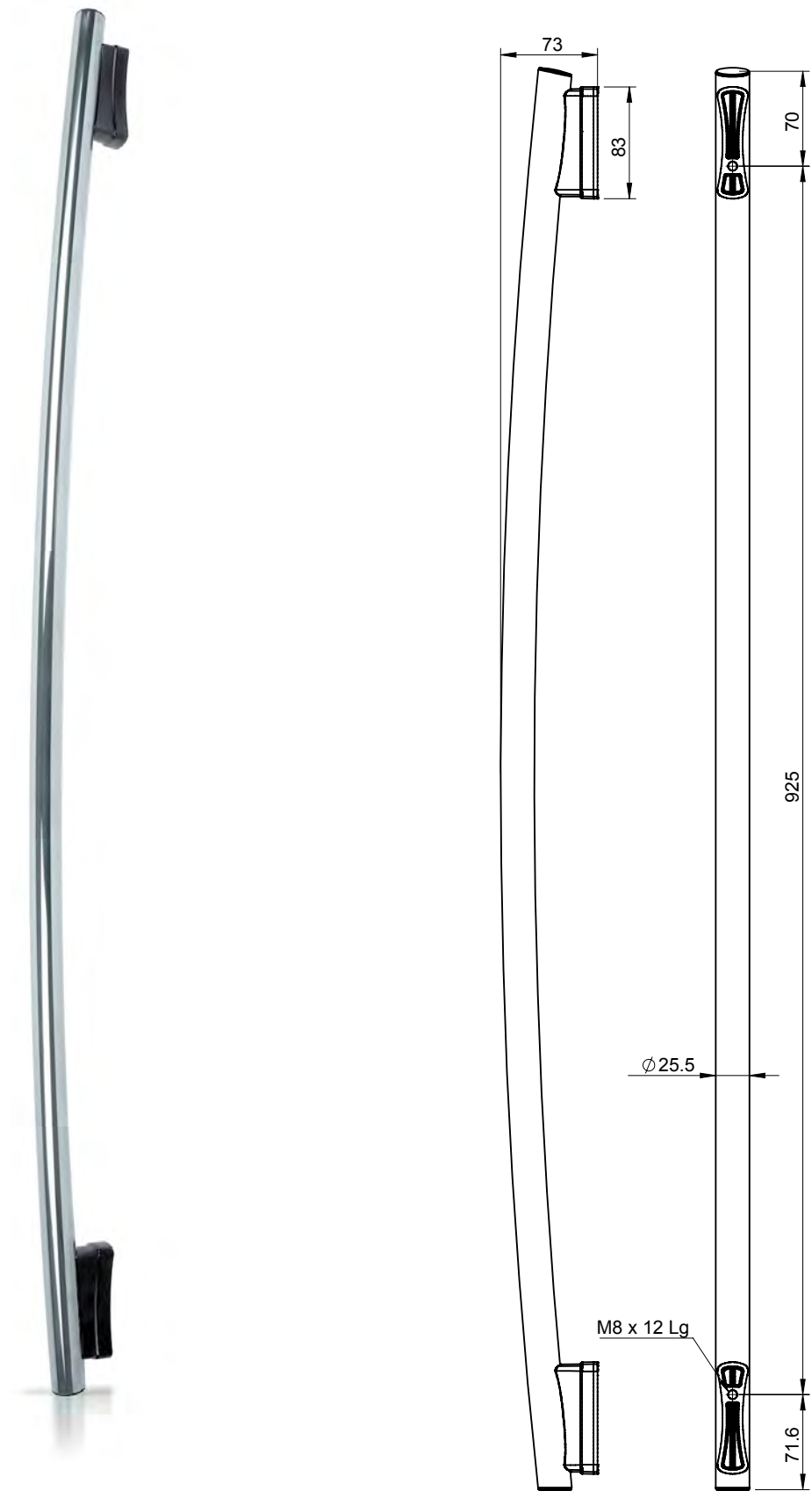
Pipe Handle



Product Code	Pipe Material	Pipe Finish	Base Material	Base Finish
DMRH3-25-L	SS-304	Buffed	Zinc	Black PC
"L" to be specified				
Laser Marking of Logo available with minimum order quantity				

Handles

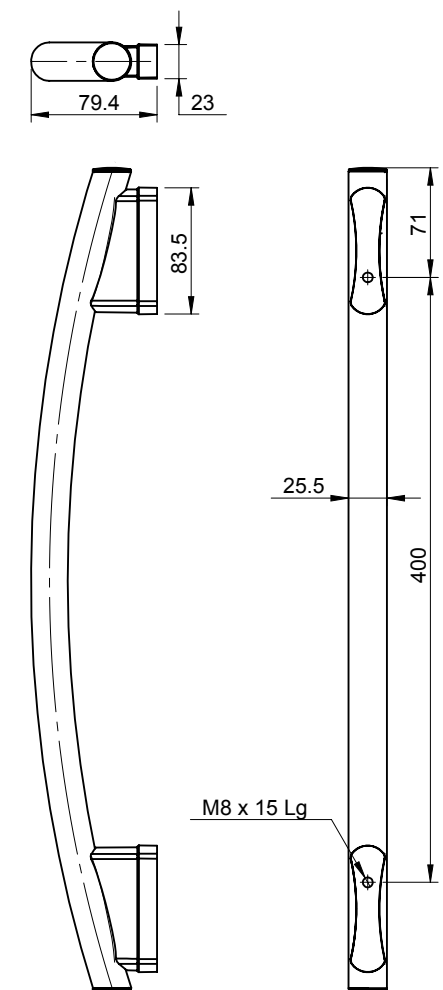
Pipe Handle



Product Code	Pipe Material	Pipe Finish	Base Material	Base Finish
DMRH4-25-925	SS-304	Buffed	Zinc	Black PC
Laser Marking of Logo available with minimum order quantity				

Handles

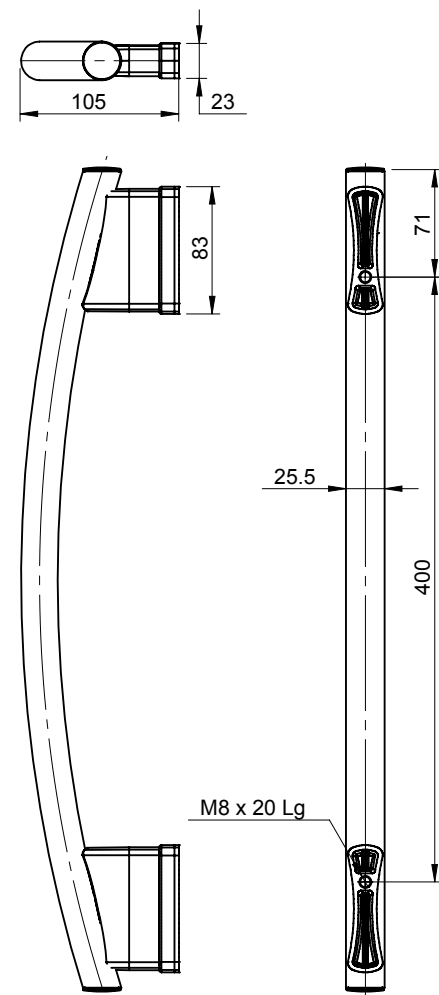
Pipe Handle



Product Code	Pipe Material	Pipe Finish	Base Material	Base Finish
DMRH1-25-400	SS-304	Buffed	Zinc	Black PC
Laser Marking of Logo available with minimum order quantity				

Handles

Pipe Handle

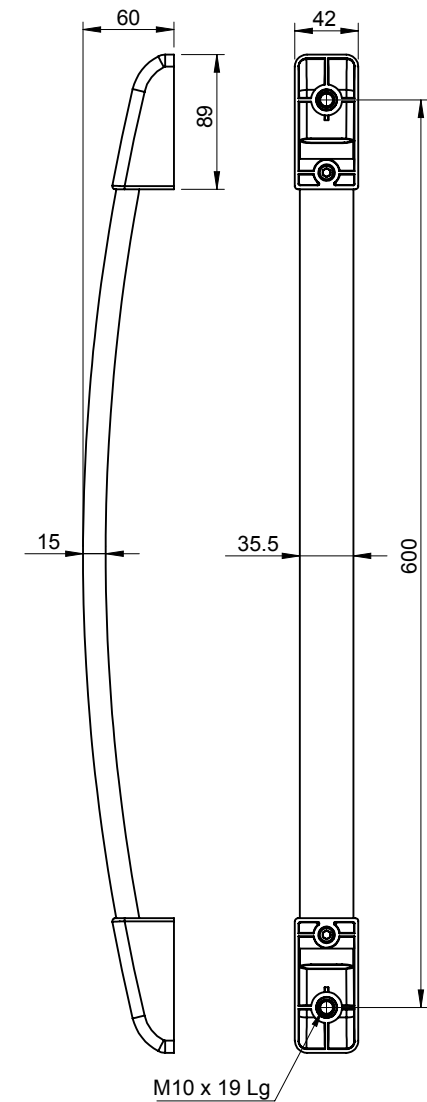


Product Code	Pipe Material	Pipe Finish	Base Material	Base Finish
DMRH2-25-400	SS-304	Buffed	Zinc	Black PC

Laser Marking of Logo available with minimum order quantity

Handles

Pipe Handle

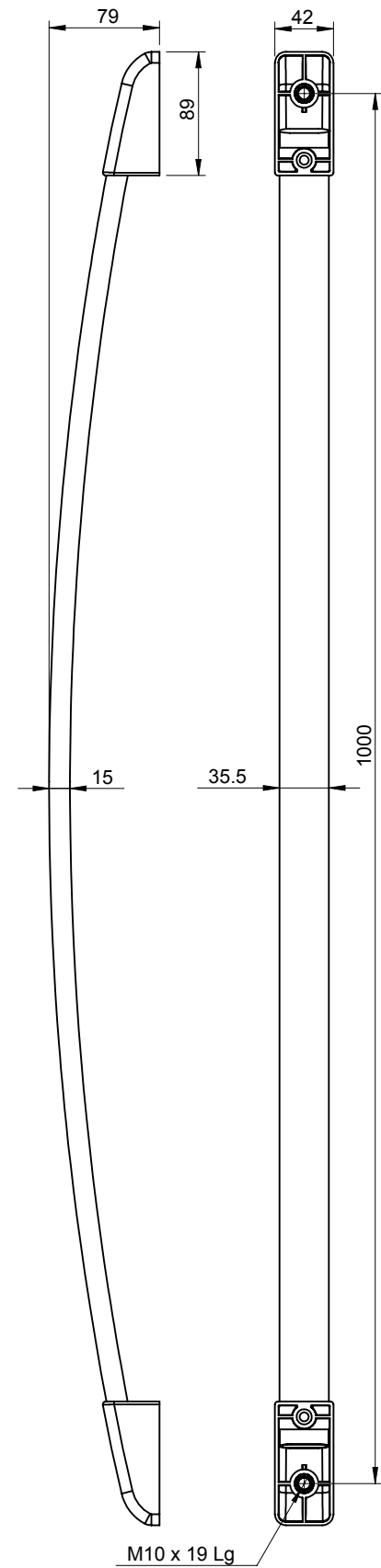


Product Code	Pipe Material	Pipe Finish	Base Material
DMCPH1-600	SS-304	Buffed	Poylamide

Laser Marking of Logo available with minimum order quantity

Handles

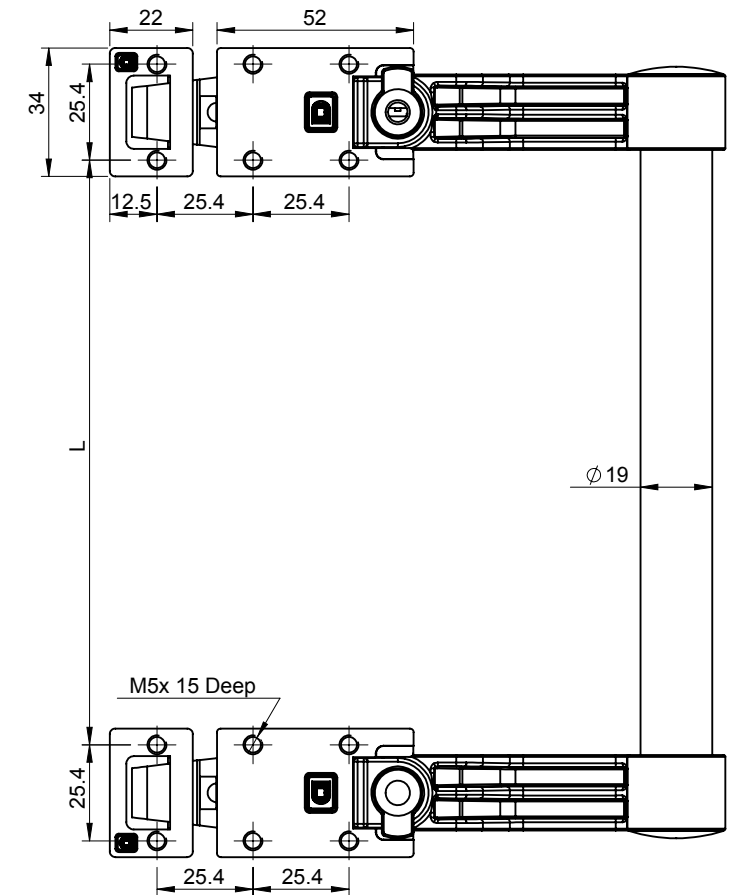
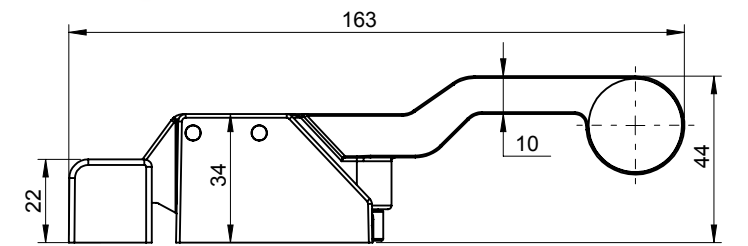
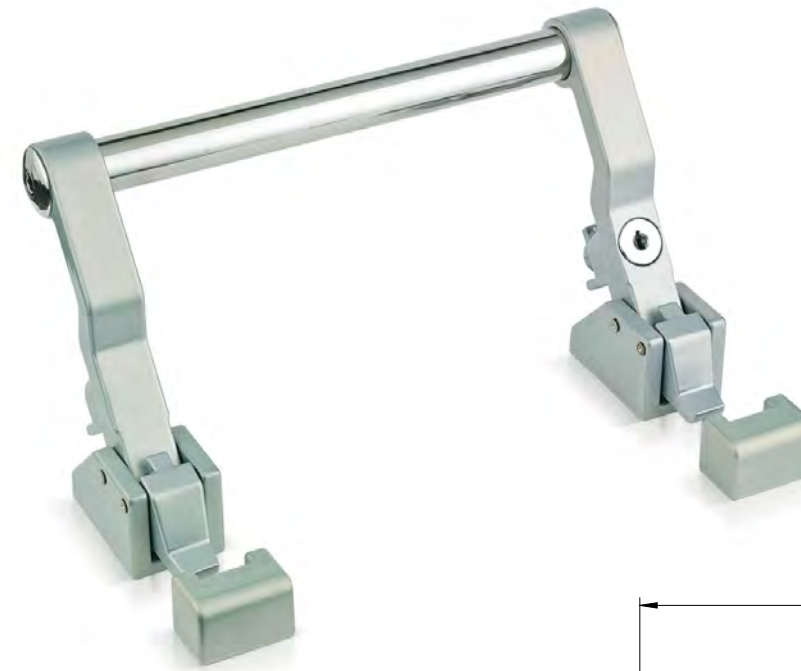
Pipe Handle



Product Code	Pipe Material	Pipe Finish	Base Material
DMCPH1-1000	SS-304	Buffed	Poylamide
Laser Marking of Logo available with minimum order quantity			

Handles

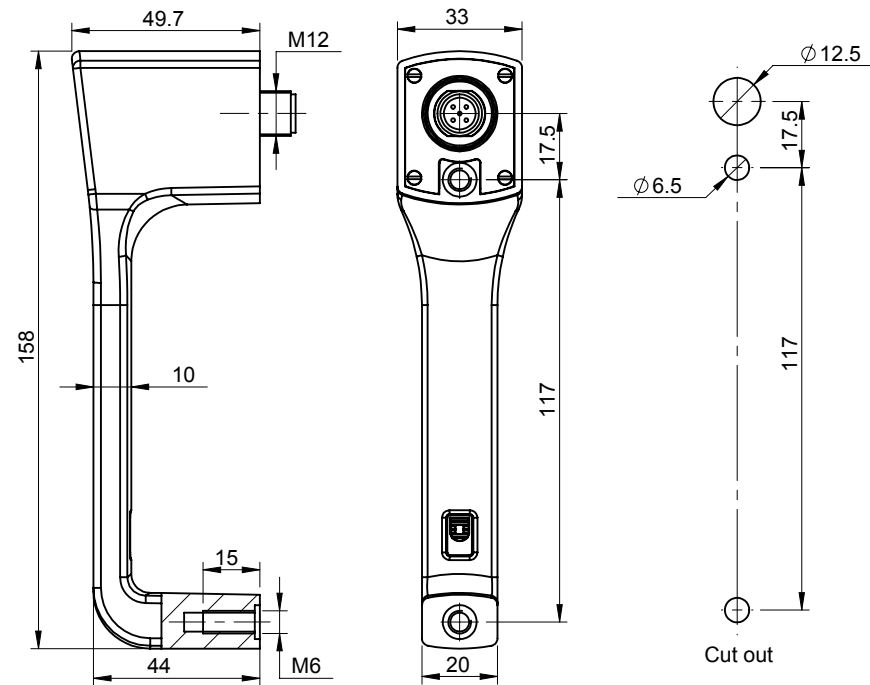
Pipe Handle



Product Code	Pipe Material	Pipe Finish	Base Material
DMH-42L-19-L	Aluminium	Buffed	Zinc

Handles

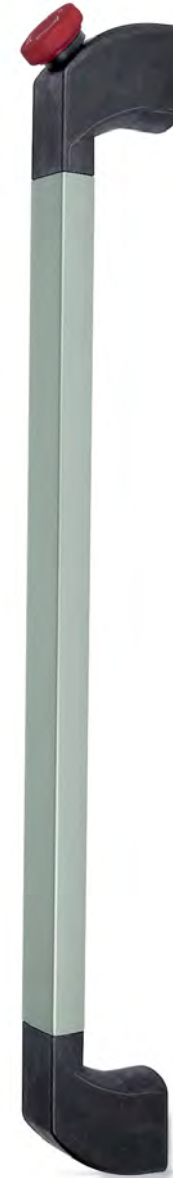
Switch with Handle



Product Code	Material	Finish
DZHES-117	Zinc	Black PC
Operating Volatage Switch 24V 1Amp max.		

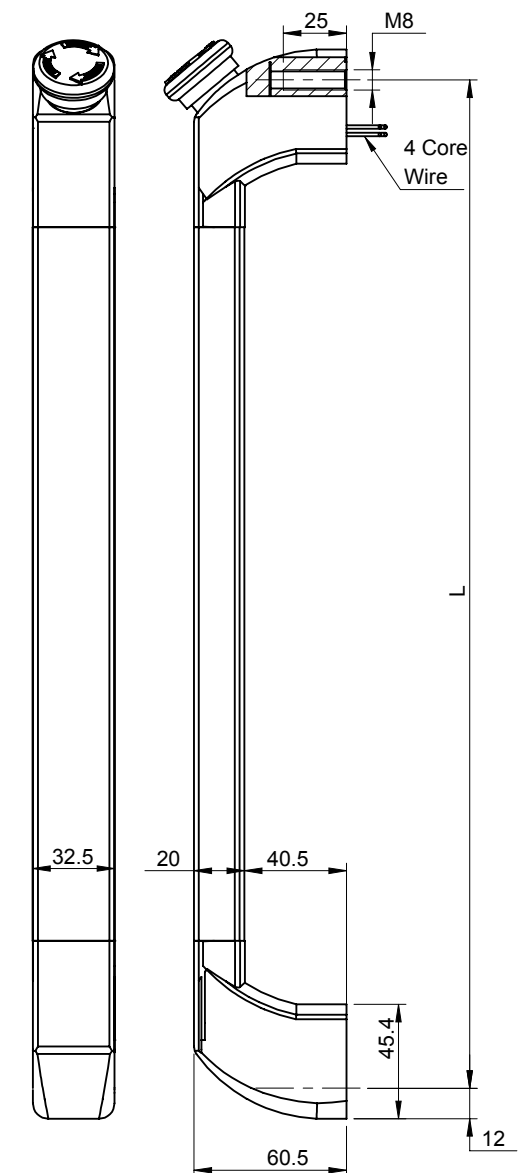
Handles

Emergency Handle



DHAES-L

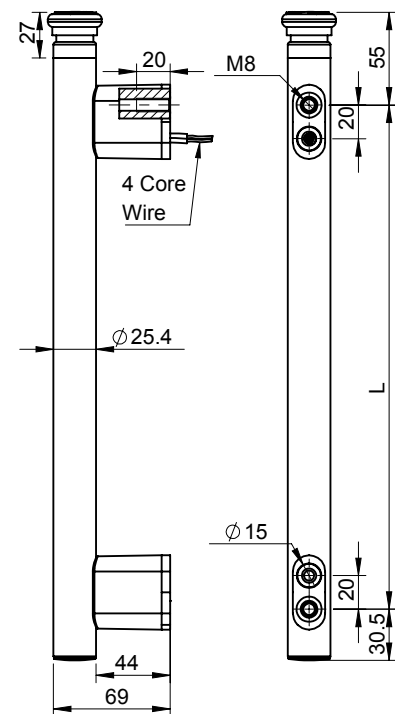
DHAESC-L



Product Code	Extrusion Material	Extrusion Finish	End Material	Type
DHAES-L	Aluminium	SPC	Poylamide	With Wire
DHAESC-L	Aluminium	SPC	Poylamide	With Connector
"L" to be specified				
Waterproof Emergency Push Button Switch 1 A 110 VDC 1 No. 1 NC				

Handles

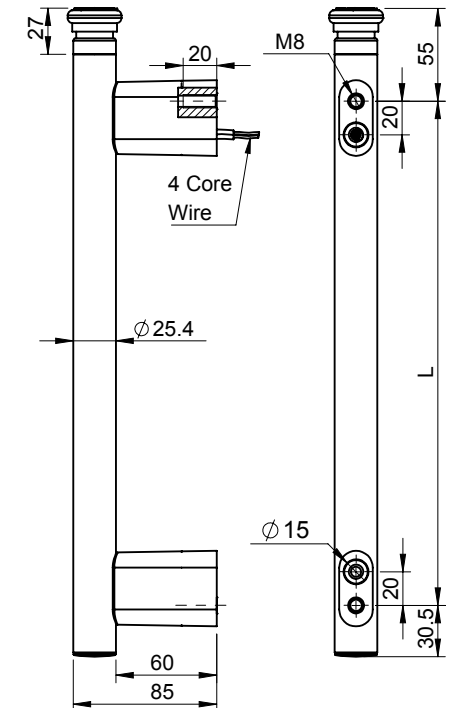
Emergency Handle



Product Code	Pipe Material	Pipe Finish	Base Material
DHFES-44-25-L	SS-304	Buffed	Poylamide
"L" to be specified			
Waterproof Emergency Push Button Switch 1 A 110 VDC 1 No. 1 NC			

Handles

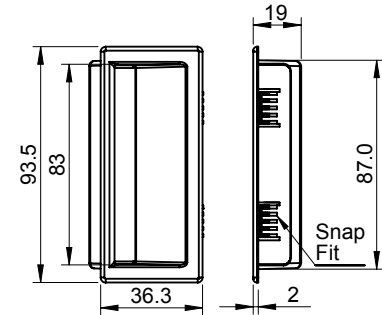
Emergency Handle



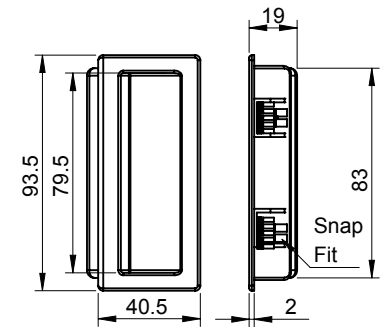
Product Code	Pipe Material	Pipe Finish	Base Material
DHFES-60-25-L	SS-304	Buffed	Poylamide
"L" to be specified			
Waterproof Emergency Push Button Switch 1 A 110 VDC 1 No. 1 NC			

Handles

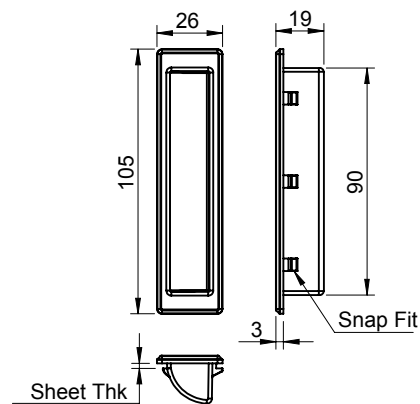
Recessed Handle



Product Code	Material
DHP-93	Polyamide
Cut Out - 87.5 x 30.7, Maximum sheet thickness - 2.5 mm	



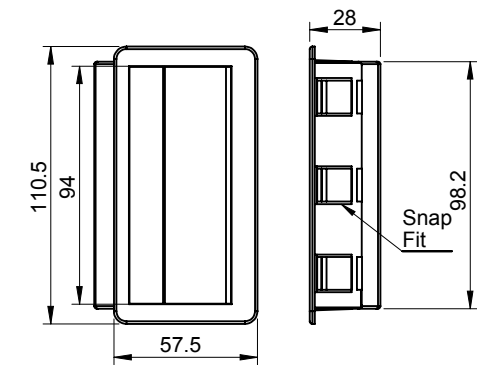
Product Code	Material
DHP-94	Polyamide
Cut Out - 84 x 35, Maximum sheet thickness - 3.0 mm	



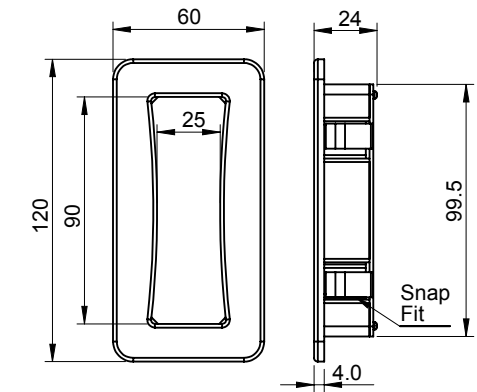
Product Code	Material	Sheet Thk. (mm)
DHP-105-1	Polyamide	1.2
DHP-105-1.2	Polyamide	1.5
DHP-105-1.6	Polyamide	2.0
Cut Out - 90.3 x 19.8		

Handles

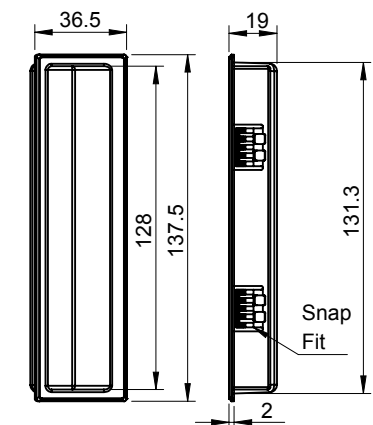
Recessed Handle



Product Code	Material
DHP-110	Polyamide
Cut Out - 99.5 x 49, Maximum sheet thickness - 3.0 mm	



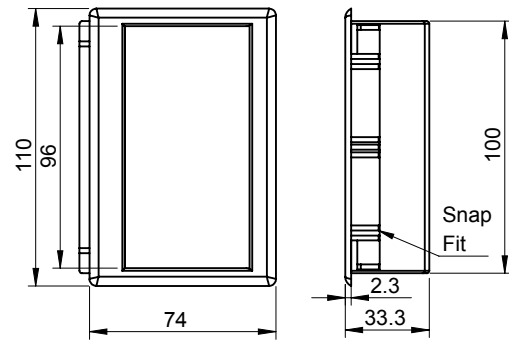
Product Code	Material
DHP-120	Polyamide
Cut Out - 100 x 49, Maximum sheet thickness - 2.0 mm	



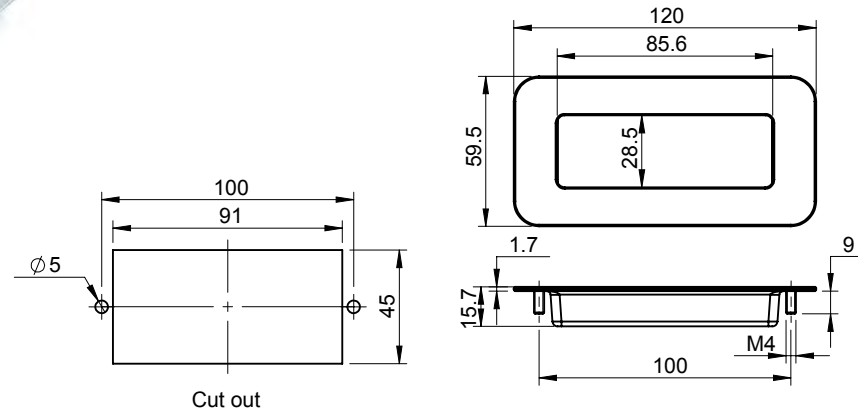
Product Code	Material
DHP-137	Polyamide
Cut Out - 132 x 30.6, Maximum sheet thickness - 1.4 to 1.8 mm	

Handles

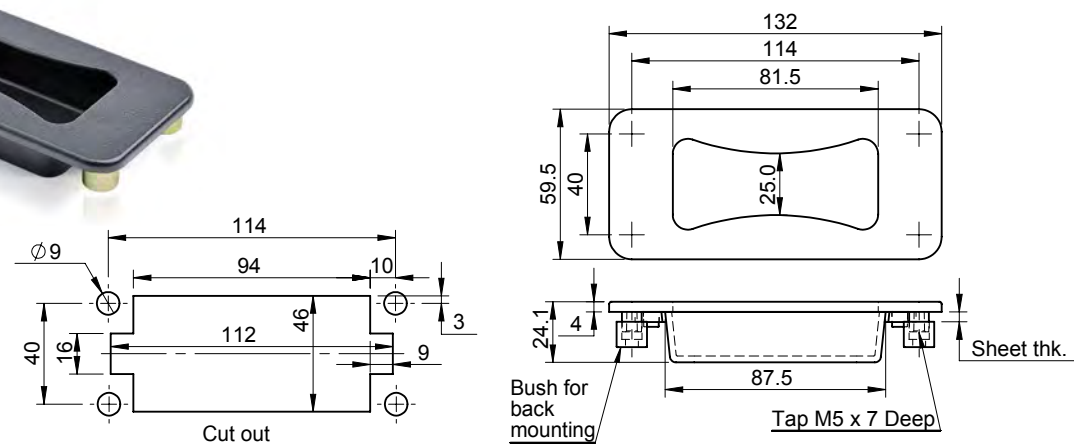
Recessed Handle



Product Code	Material
DHP-11074	Polyamide
Cut Out - 100 x 65, Maximum sheet thickness - 3.0 mm	



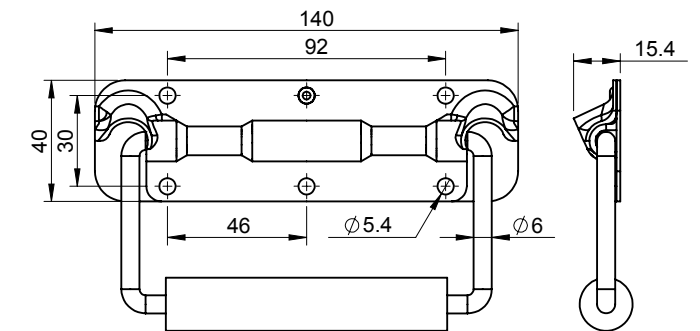
Product Code	Material	Finish
DHRSS-120	SS-304	Electro Polishing



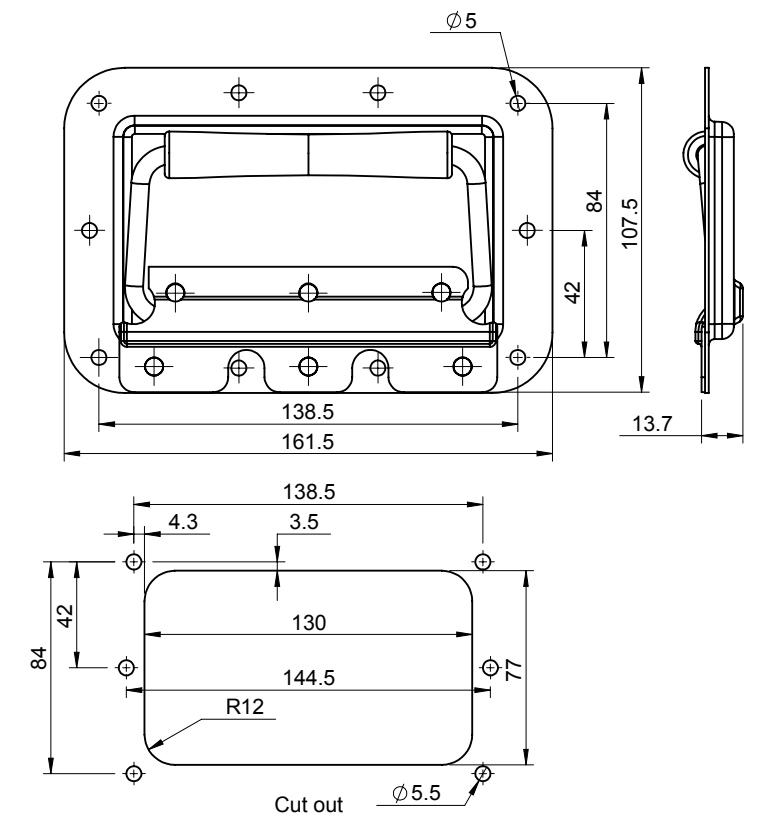
Product Code	Material	Finish
DHRZ-130	Zinc	Black PC

Handles

Crate Handle



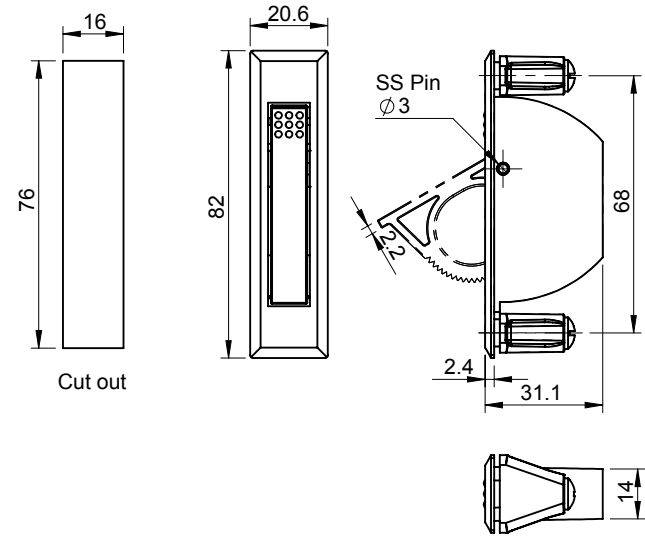
Product Code	Material	Finish	Load Capacity (Kg)
DCPH-140-BZ	Mild Steel	Blue Zinc	55



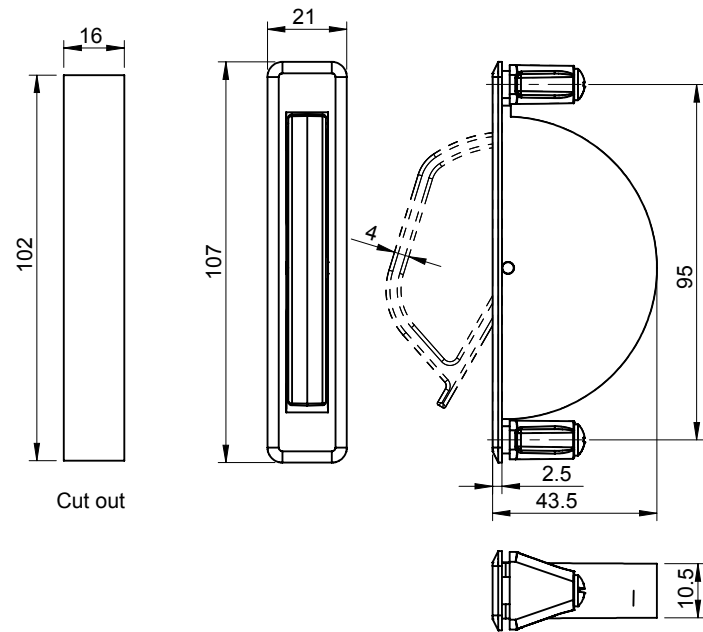
Product Code	Material	Finish	Load Capacity (Kg)
DCPH-160-BZ	Mild Steel	Blue Zinc	25

Handles

Flush Pull Handle



Product Code	Material
DHFP-68	Polyamide



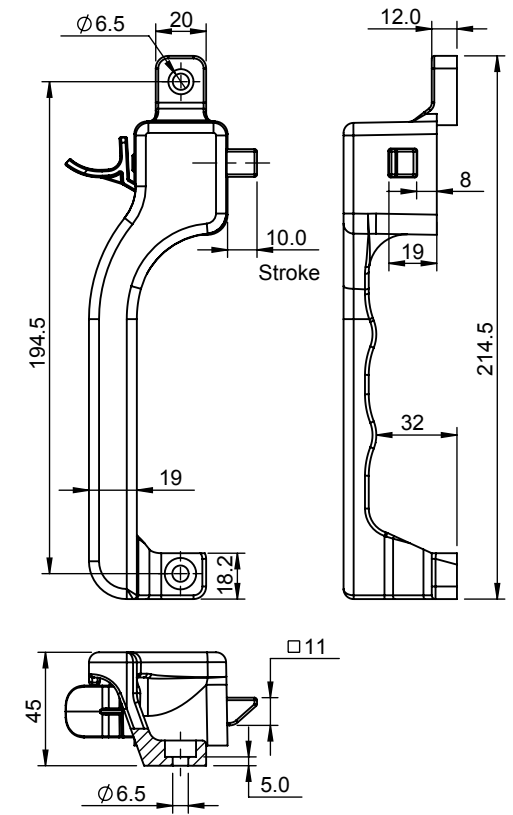
Product Code	Case Material	Handle Material	Handle Finish	Load Capacity (Kg)
DHFP-94-PC	Polyamide	Zinc	Black PC	10
DHFP-94-SPC	Polyamide	Zinc	SPC	10

Handles

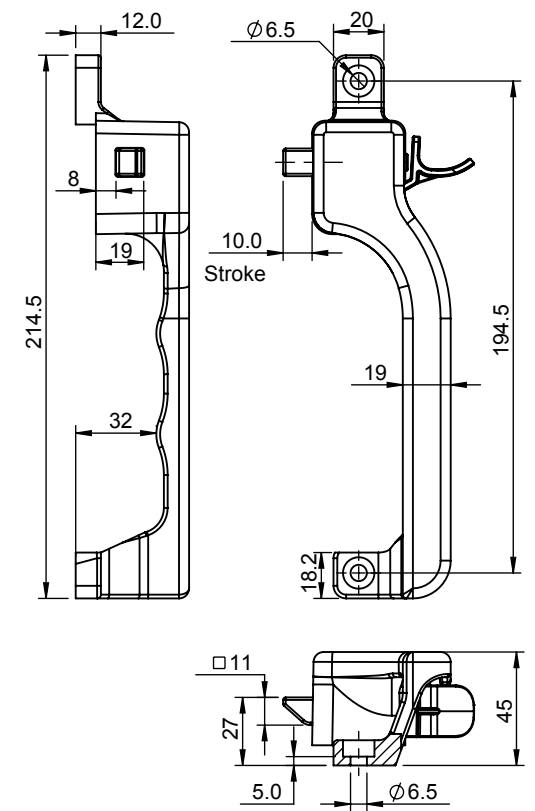
Push Handle



DZHS-L



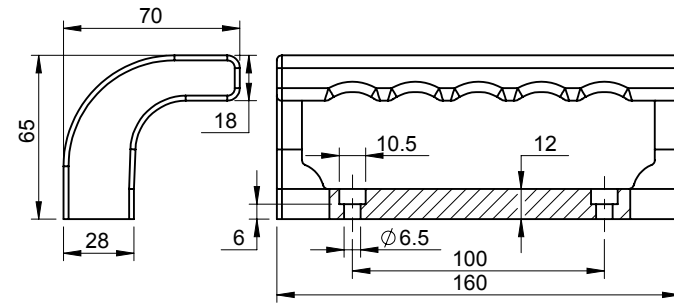
DZHS-R



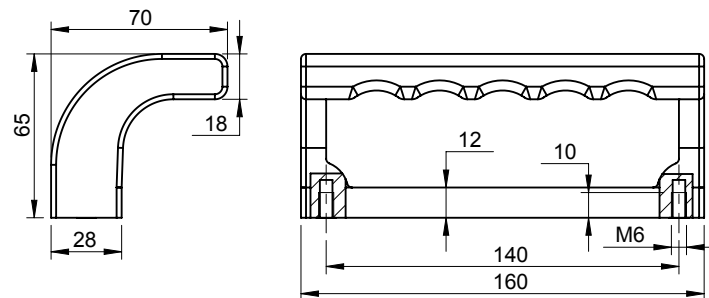
Item No	Material Type	Finishing	Description
DZHS-L	Zinc	Black PC	Push Handle
DZHS-R	Zinc	Black PC	Push Handle

Handles

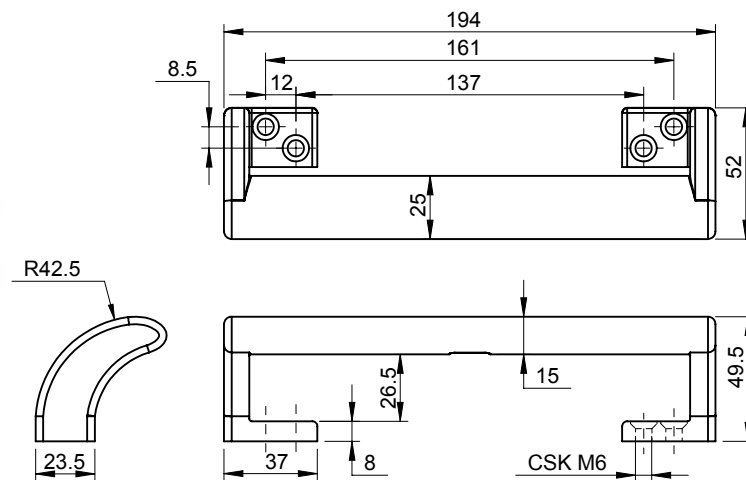
Angular Handle



Product Code	Material
DHAS-100	Polyamide



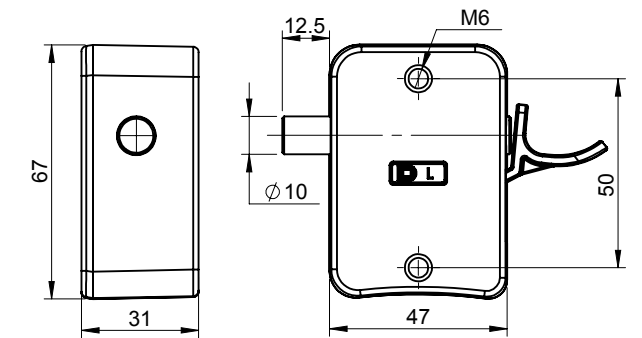
Product Code	Material	Insert Material
DHAI-140	Polyamide	MS



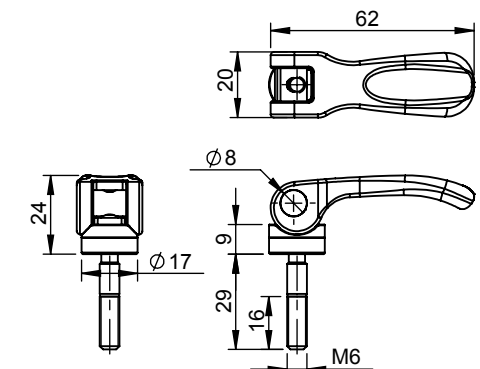
Product Code	Material	Finish
DZAH-195-PC	Zinc	Black PC

Handles

Press Handle



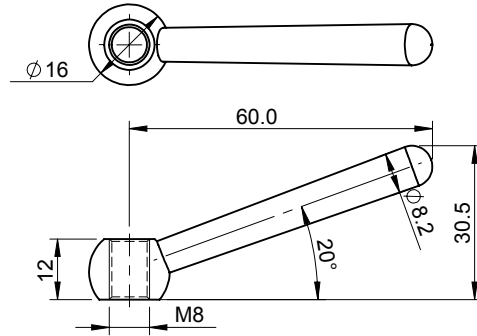
Product Code	Material	Cover Material	Finish	Locking Stroke
DZWC2-L	Zinc	Polyamide	Black PC	12.5
DZWC2-R	Zinc	Polyamide	Black PC	12.5



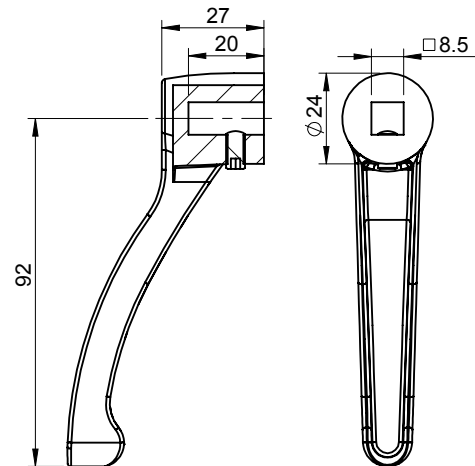
Product Code	Handle Material	Stud Material	Handle Finish
DMACS-0655-29	Zinc	SS-304	Black PC

Handles

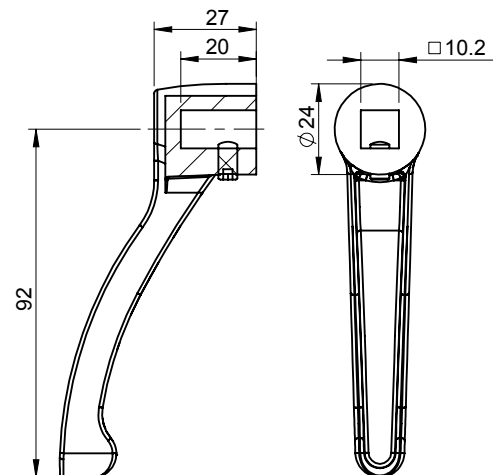
Lever Handle



Product Code	Material	Finish
DM-23	Zinc	Raw



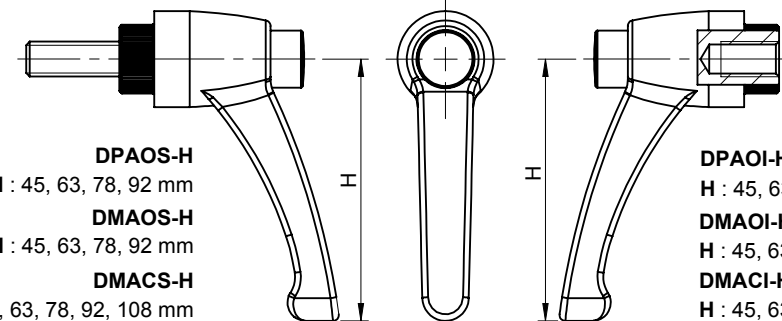
Product Code	Material	Finish
DML-29-8	Zinc	Black PC



Product Code	Material	Finish
DML-29-10	Zinc	Black PC



Adjustable Handle



DPAOS-H
H : 45, 63, 78, 92 mm

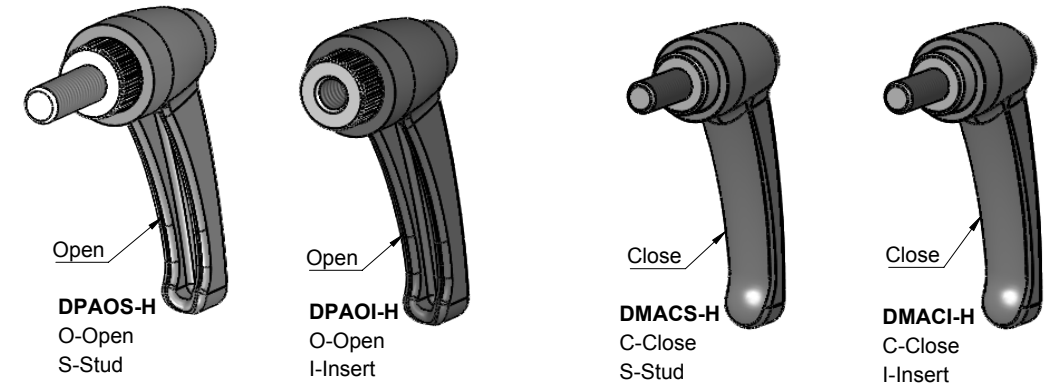
DMAOS-H
H : 45, 63, 78, 92 mm

DMACS-H
H : 45, 63, 78, 92, 108 mm

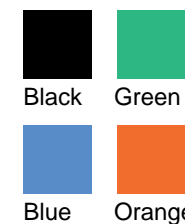
DPAOI-H
H : 45, 63, 78, 92 mm

DMAOI-H
H : 45, 63, 78, 92 mm

DMACI-H
H : 45, 63, 78, 92, 108 mm



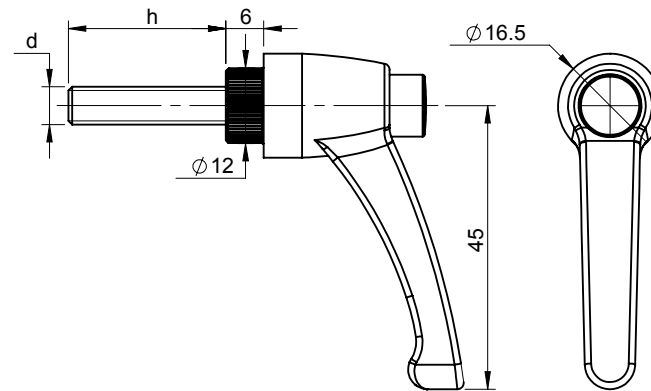
Standard Cap Colour is Black



- Green, Blue & Orange Caps are available on a minimum order of 50 nos each.
- The Stud/Insert are engaged via serrations with the Handle.
- Push the Button & Lift the handle upwards to disengage the serrations and adjust the Handle position.
- On releasing the Handle, return spring automatically engages the serrations once again.
- Standard Colour for Handles is Black.
- Studs/Inserts : M.S. Toughened Green Plated.
- Stainless Steel Studs & Inserts are available on minimum order of 100 nos.
- Standard Colour for Cap is Black.
- Blue, Orange & Green Caps are also available.

Handles

Adjustable Handle



Product Code	Material	Colour	Stud Material	Stud Size (d)	Stud Length (h)	Version
DPAOS-0545-10	Polyamide	Black	MS	M5	10.0	Cap
DPAOS-0545-16	Polyamide	Black	MS	M5	16.0	Cap
DPAOS-0545-20	Polyamide	Black	MS	M5	20.0	Cap
DPAOS-0545-25	Polyamide	Black	MS	M5	25.0	Cap
DPAOS-0545-30	Polyamide	Black	MS	M5	30.0	Cap
DPAOS-0545-40	Polyamide	Black	MS	M5	40.0	Cap
DPAOS-0545-50	Polyamide	Black	MS	M5	50.0	Cap
DPAOS-0645-10	Polyamide	Black	MS	M6	10.0	Cap
DPAOS-0645-16	Polyamide	Black	MS	M6	16.0	Cap
DPAOS-0645-20	Polyamide	Black	MS	M6	20.0	Cap
DPAOS-0645-25	Polyamide	Black	MS	M6	25.0	Cap
DPAOS-0645-30	Polyamide	Black	MS	M6	30.0	Cap
DPAOS-0645-35	Polyamide	Black	MS	M6	35.0	Cap
DPAOS-0645-40	Polyamide	Black	MS	M6	40.0	Cap
DPAOS-0645-45	Polyamide	Black	MS	M6	45.0	Cap
DPAOS-0645-50	Polyamide	Black	MS	M6	50.0	Cap

The Stud is engaged via serrations with the Handle.

Push the Button & Lift the Handle upwards to disengage the serrations and adjust the Handle position.

On releasing the Handle, return spring automatically engages the serrations once again.

Standard Colour for Handle is Black.

Studs : M.S. Toughened Green Plated.

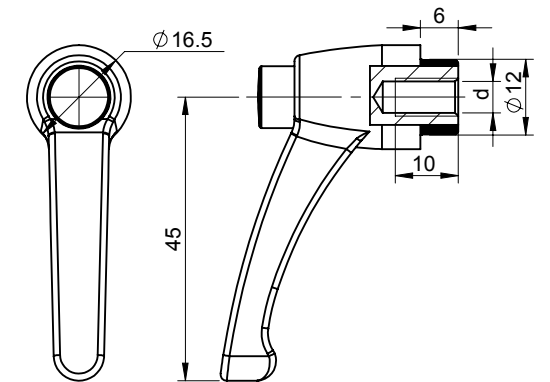
Stainless Steel Studs are available on minimum order of 100 nos.

Standard Colour for Cap is Black.

Blue, Orange & Green caps are also available.

Handles

Adjustable Handle



Product Code	Material	Colour	Insert Material	Insert Size (d)	Version
DPAOI-0445	Polyamide	Black	MS	M4	Cap
DPAOI-0545	Polyamide	Black	MS	M5	Cap
DPAOI-0645	Polyamide	Black	MS	M6	Cap

The Insert is engaged via serrations with the Handle.

Push the Button & Lift the Handle upwards to disengage the serrations and adjust the Handle position.

On releasing the Handle, return spring automatically engages the serrations once again.

Standard Colour for Handle is Black.

Insert : M.S. Toughened Green Plated.

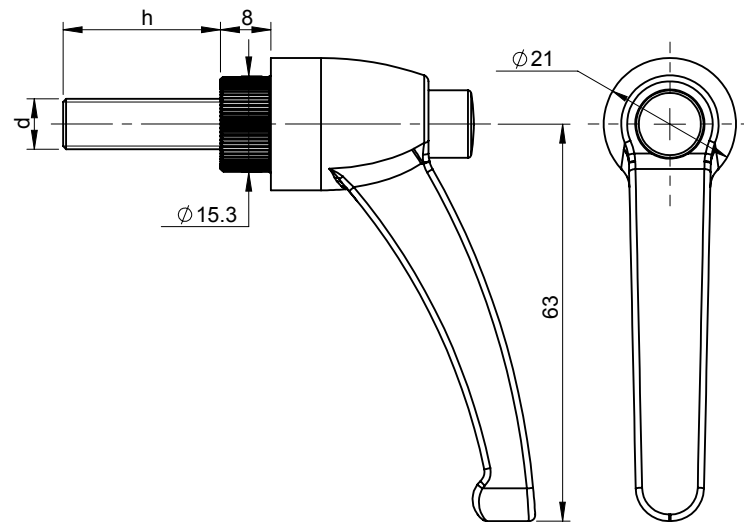
Stainless Steel Insert are available on minimum order of 100 nos.

Standard Colour for Cap is Black.

Blue, Orange & Green caps are also available.

Handles

Adjustable Handle



Product Code	Material	Colour	Stud Material	Stud Size (d)	Stud Length (h)	Version
DPAOS-0863-16	Polyamide	Black	MS	M8	16.0	Cap
DPAOS-0863-20	Polyamide	Black	MS	M8	20.0	Cap
DPAOS-0863-25	Polyamide	Black	MS	M8	25.0	Cap
DPAOS-0863-30	Polyamide	Black	MS	M8	30.0	Cap
DPAOS-0863-35	Polyamide	Black	MS	M8	35.0	Cap
DPAOS-0863-40	Polyamide	Black	MS	M8	40.0	Cap
DPAOS-0863-50	Polyamide	Black	MS	M8	50.0	Cap
DPAOS-0863-63	Polyamide	Black	MS	M8	63.0	Cap
DPAOS-0863-90	Polyamide	Black	MS	M8	90.0	Cap
DPAOS-0863-100	Polyamide	Black	MS	M8	100.0	Cap
DPAOS-1063-63	Polyamide	Black	MS	M10	63.0	Cap
DPAOS-1063-80	Polyamide	Black	MS	M10	80.0	Cap

The Stud is engaged via serrations with the Handle.

Push the Button & Lift the Handle upwards to disengage the serrations and adjust the Handle position.

On releasing the Handle, return spring automatically engages the serrations once again.

Standard Colour for Handle is Black.

Studs : M.S. Toughened Green Plated.

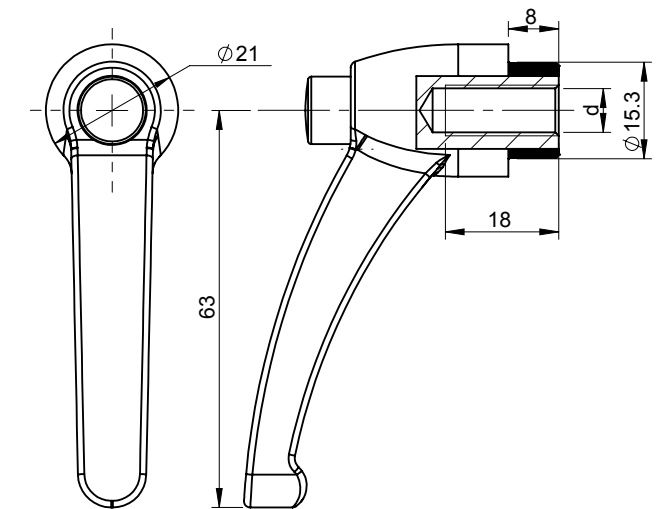
Stainless Steel Studs are available on minimum order of 100 nos.

Standard Colour for Cap is Black.

Blue, Orange & Green caps are also available.

Handles

Adjustable Handle



Product Code	Material	Colour	Insert Material	Insert Size (d)	Version
DPAOI-0663	Polyamide	Black	MS	M6	Cap
DPAOI-0863	Polyamide	Black	MS	M8	Cap

The Insert is engaged via serrations with the Handle.

Push the Button & Lift the Handle upwards to disengage the serrations and adjust the Handle position.

On releasing the Handle, return spring automatically engages the serrations once again.

Standard Colour for Handle is Black.

Insert : M.S. Toughened Green Plated.

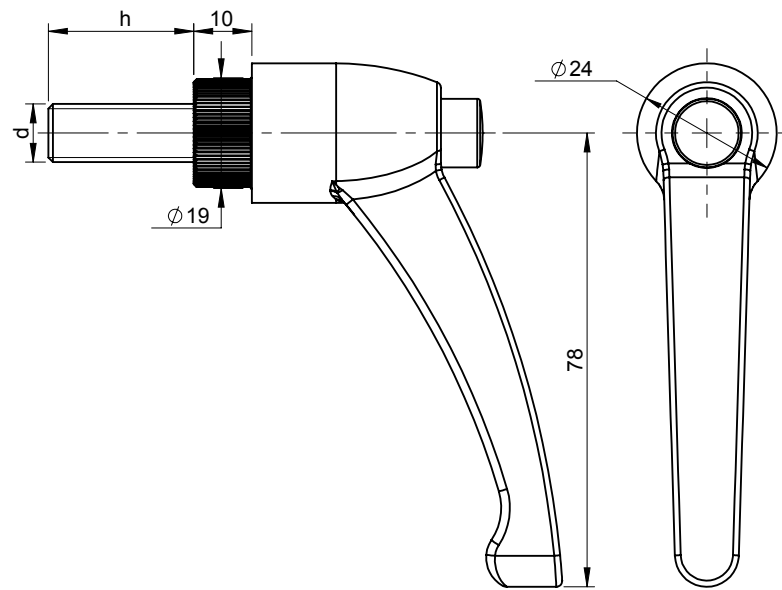
Stainless Steel Insert are available on minimum order of 100 nos.

Standard Colour for Cap is Black.

Blue, Orange & Green caps are also available.

Handles

Adjustable Handle



Product Code	Material	Colour	Stud Material	Stud Size (d)	Stud Length (h)	Version
DPAOS-1078-20	Polyamide	Black	MS	M10	20.0	Cap
DPAOS-1078-25	Polyamide	Black	MS	M10	25.0	Cap
DPAOS-1078-32	Polyamide	Black	MS	M10	32.0	Cap
DPAOS-1078-40	Polyamide	Black	MS	M10	40.0	Cap
DPAOS-1078-50	Polyamide	Black	MS	M10	50.0	Cap
DPAOS-1078-60	Polyamide	Black	MS	M10	60.0	Cap
DPAOS-1078-63	Polyamide	Black	MS	M10	63.0	Cap
DPAOS-1078-70	Polyamide	Black	MS	M10	70.0	Cap
DPAOS-1078-100	Polyamide	Black	MS	M10	100.0	Cap
DPAOS-1278-20	Polyamide	Black	MS	M12	20.0	Cap
DPAOS-1278-25	Polyamide	Black	MS	M12	25.0	Cap
DPAOS-1278-32	Polyamide	Black	MS	M12	32.0	Cap
DPAOS-1278-40	Polyamide	Black	MS	M12	40.0	Cap
DPAOS-1278-50	Polyamide	Black	MS	M12	50.0	Cap
DPAOS-1278-63	Polyamide	Black	MS	M12	63.0	Cap
DPAOS-1278-80	Polyamide	Black	MS	M12	80.0	Cap

The Stud is engaged via serrations with the Handle.

Push the Button & Lift the Handle upwards to disengage the serrations and adjust the Handle position.

On releasing the Handle, return spring automatically engages the serrations once again.

Standard Colour for Handle is Black.

Studs : M.S. Toughened Green Plated.

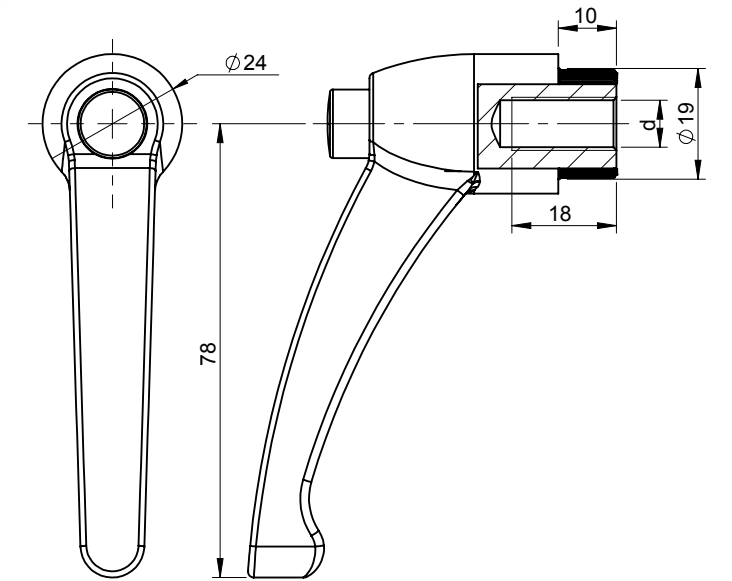
Stainless Steel Studs are available on minimum order of 100 nos.

Standard Colour for Cap is Black.

Blue, Orange & Green caps are also available.

Handles

Adjustable Handle



Product Code	Material	Colour	Insert Material	Insert Size (d)	Version
DPAOI-0878	Polyamide	Black	MS	M8	Cap
DPAOI-1078	Polyamide	Black	MS	M10	Cap
DPAOI-1278	Polyamide	Black	MS	M12	Cap

The Insert is engaged via serrations with the Handle.

Push the Button & Lift the Handle upwards to disengage the serrations and adjust the Handle position.

On releasing the Handle, return spring automatically engages the serrations once again.

Standard Colour for Handle is Black.

Insert : M.S. Toughened Green Plated.

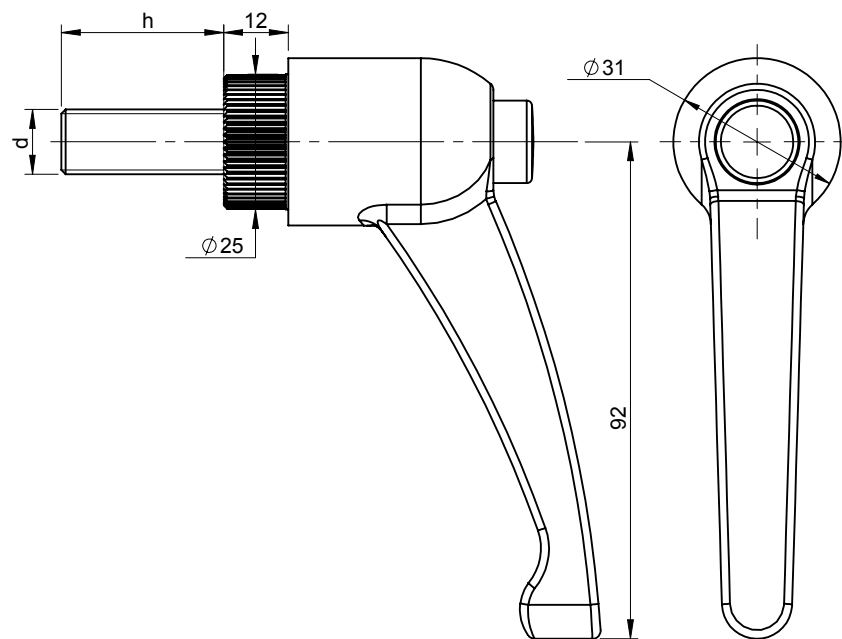
Stainless Steel Insert are available on minimum order of 100 nos.

Standard Colour for Cap is Black.

Blue, Orange & Green caps are also available.

Handles

Adjustable Handle



Product Code	Material	Colour	Stud Material	Stud Size (d)	Stud Length (h)	Version
DPAOS-1292-30	Polyamide	Black	MS	M12	30.0	Cap
DPAOS-1292-50	Polyamide	Black	MS	M12	50.0	Cap
DPAOS-1292-70	Polyamide	Black	MS	M12	70.0	Cap
DPAOS-1492-30	Polyamide	Black	MS	M14	30.0	Cap
DPAOS-1492-50	Polyamide	Black	MS	M14	50.0	Cap
DPAOS-1492-70	Polyamide	Black	MS	M14	70.0	Cap
DPAOS-1692-30	Polyamide	Black	MS	M16	30.0	Cap
DPAOS-1692-50	Polyamide	Black	MS	M16	50.0	Cap
DPAOS-1692-70	Polyamide	Black	MS	M16	70.0	Cap

The Stud is engaged via serrations with the Handle.

Push the Button & Lift the Handle upwards to disengage the serrations and adjust the Handle position.

On releasing the Handle, return spring automatically engages the serrations once again.

Standard Colour for Handle is Black.

Studs : M.S. Toughened Green Plated.

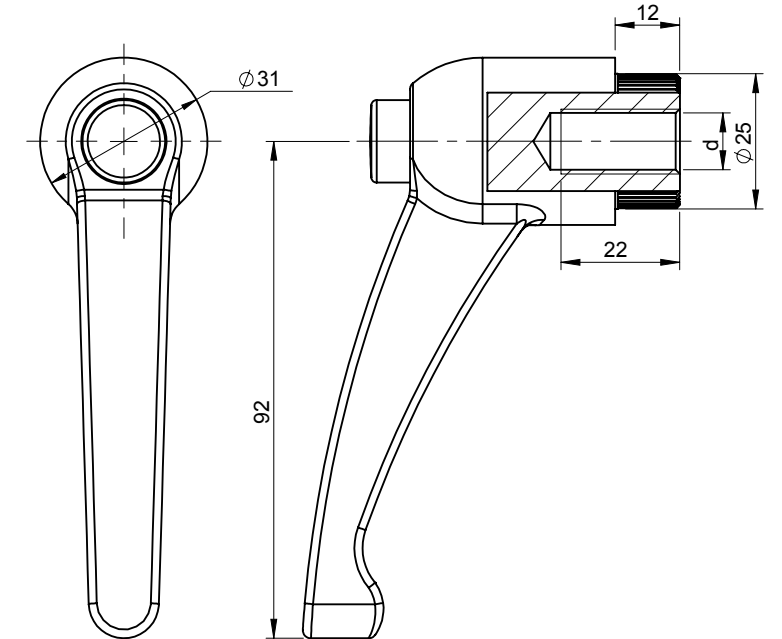
Stainless Steel Studs are available on minimum order of 100 nos.

Standard Colour for Cap is Black.

Blue, Orange & Green caps are also available.

Handles

Adjustable Handle



Product Code	Material	Colour	Insert Material	Insert Size (d)	Version
DPAOI-1292	Polyamide	Black	MS	M12	Cap
DPAOI-1492	Polyamide	Black	MS	M14	Cap
DPAOI-1692	Polyamide	Black	MS	M16	Cap

The Insert is engaged via serrations with the Handle.

Push the Button & Lift the Handle upwards to disengage the serrations and adjust the Handle position.

On releasing the Handle, return spring automatically engages the serrations once again.

Standard Colour for Handle is Black.

Insert : M.S. Toughened Green Plated.

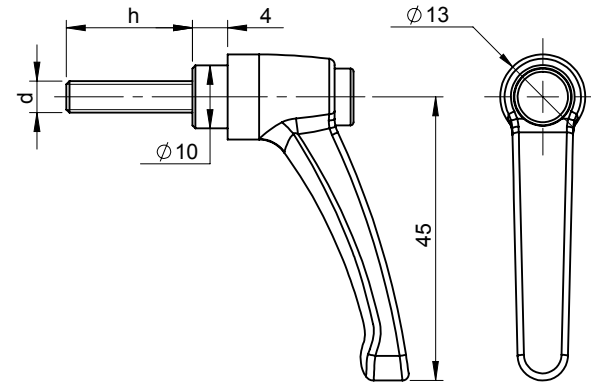
Stainless Steel Insert are available on minimum order of 100 nos.

Standard Colour for Cap is Black.

Blue, Orange & Green caps are also available.

Handles

Adjustable Handle



Product Code	Material	Colour	Stud Material	Stud Size (d)	Stud Length (h)	Version
DMACS-0445-20	Zinc	Black PC	MS	M4	20.0	Cap
DMACS-0545-12	Zinc	Black PC	MS	M5	12.0	Cap
DMACS-0545-16	Zinc	Black PC	MS	M5	16.0	Cap
DMACS-0545-20	Zinc	Black PC	MS	M5	20.0	Cap
DMACS-0545-25	Zinc	Black PC	MS	M5	25.0	Cap
DMACS-0545-32	Zinc	Black PC	MS	M5	32.0	Cap
DMACS-0545-40	Zinc	Black PC	MS	M5	40.0	Cap
DMACS-0545-50	Zinc	Black PC	MS	M5	50.0	Cap
DMACS-0645-12	Zinc	Black PC	MS	M6	12.0	Cap
DMACS-0645-16	Zinc	Black PC	MS	M6	16.0	Cap
DMACS-0645-20	Zinc	Black PC	MS	M6	20.0	Cap
DMACS-0645-25	Zinc	Black PC	MS	M6	25.0	Cap
DMACS-0645-32	Zinc	Black PC	MS	M6	32.0	Cap
DMACS-0645-35	Zinc	Black PC	MS	M6	35.0	Cap
DMACS-0645-40	Zinc	Black PC	MS	M6	40.0	Cap
DMACS-0645-50	Zinc	Black PC	MS	M6	50.0	Cap

The Stud is engaged via serrations with the Handle.

Push the Button & Lift the Handle upwards to disengage the serrations and adjust the Handle position.

On releasing the Handle, return spring automatically engages the serrations once again.

Standard Colour for Handle is Black.

Studs : M.S. Toughened Green Plated.

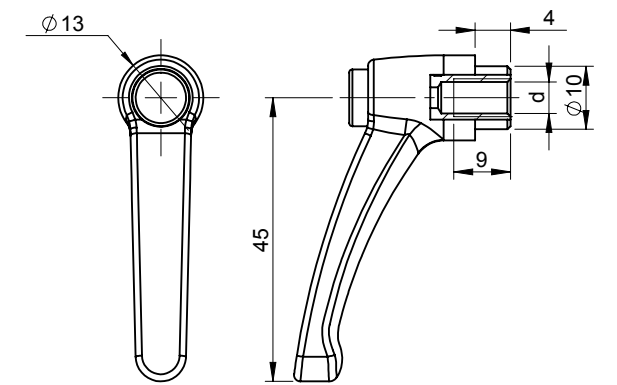
Stainless Steel Studs are available on minimum order of 100 nos.

Standard Colour for Cap is Black.

Blue, Orange & Green caps are also available.

Handles

Adjustable Handle



Product Code	Material	Colour	Insert Material	Insert Size (d)	Version
DMACI-0445	Zinc	Black PC	MS	M4	Cap
DMACI-0545	Zinc	Black PC	MS	M5	Cap
DMACI-0645	Zinc	Black PC	MS	M6	Cap

The Insert is engaged via serrations with the Handle.

Push the Button & Lift the Handle upwards to disengage the serrations and adjust the Handle position.

On releasing the Handle, return spring automatically engages the serrations once again.

Standard Colour for Handle is Black.

Insert : M.S. Toughened Green Plated.

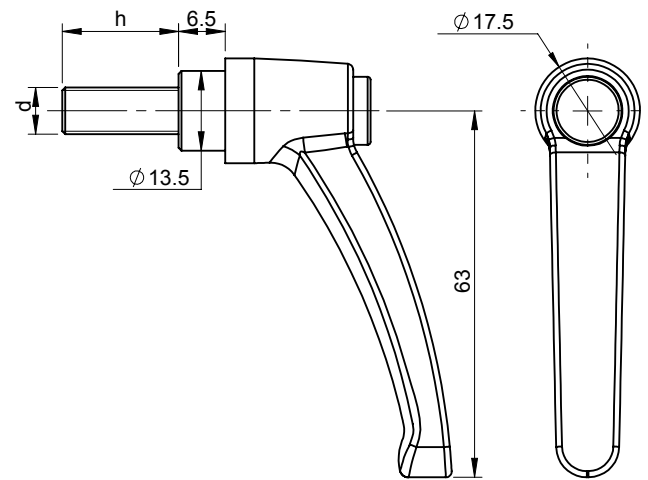
Stainless Steel Insert are available on minimum order of 100 nos.

Standard Colour for Cap is Black.

Blue, Orange & Green caps are also available.

Handles

Adjustable Handle



Product Code	Material	Colour	Stud Material	Stud Size (d)	Stud Length (h)	Version
DMACS-0863-16	Zinc	Black PC	MS	M8	16.0	Cap
DMACS-0863-20	Zinc	Black PC	MS	M8	20.0	Cap
DMACS-0863-25	Zinc	Black PC	MS	M8	25.0	Cap
DMACS-0863-32	Zinc	Black PC	MS	M8	32.0	Cap
DMACS-0863-35	Zinc	Black PC	MS	M8	35.0	Cap
DMACS-0863-40	Zinc	Black PC	MS	M8	40.0	Cap
DMACS-0863-50	Zinc	Black PC	MS	M8	50.0	Cap
DMACS-0863-63	Zinc	Black PC	MS	M8	63.0	Cap
DMACS-0863-70	Zinc	Black PC	MS	M8	70.0	Cap
DMACS-0863-90	Zinc	Black PC	MS	M8	90.0	Cap
DMACS-0863-100	Zinc	Black PC	MS	M8	100.0	Cap

The Stud is engaged via serrations with the Handle.

Push the Button & Lift the Handle upwards to disengage the serrations and adjust the Handle position.

On releasing the Handle, return spring automatically engages the serrations once again.

Standard Colour for Handle is Black.

Studs : M.S. Toughened Green Plated.

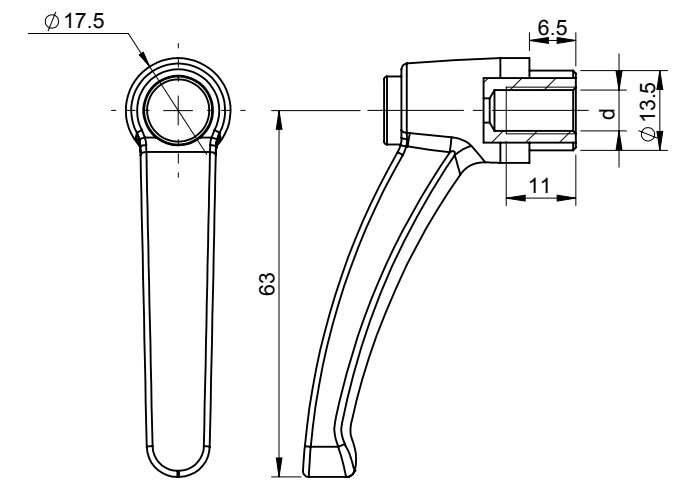
Stainless Steel Studs are available on minimum order of 100 nos.

Standard Colour for Cap is Black.

Blue, Orange & Green caps are also available.

Handles

Adjustable Handle



Product Code	Material	Colour	Insert Material	Insert Size (d)	Version
DMACI-0663	Zinc	Black PC	MS	M6	Cap
DMACI-0863	Zinc	Black PC	MS	M8	Cap

The Insert is engaged via serrations with the Handle.

Push the Button & Lift the Handle upwards to disengage the serrations and adjust the Handle position.

On releasing the Handle, return spring automatically engages the serrations once again.

Standard Colour for Handle is Black.

Insert : M.S. Toughened Green Plated.

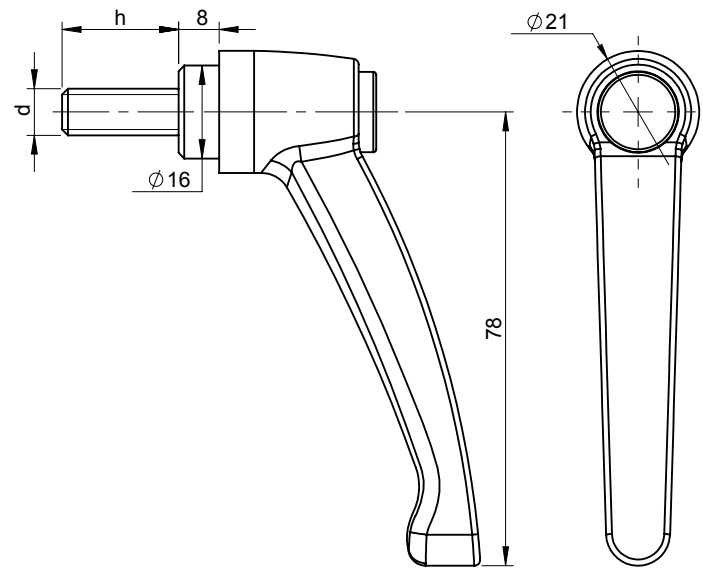
Stainless Steel Insert are available on minimum order of 100 nos.

Standard Colour for Cap is Black.

Blue, Orange & Green caps are also available.

Handles

Adjustable Handle



Product Code	Material	Colour	Stud Material	Stud Size (d)	Stud Length (h)	Version
DMACS-1078-20	Zinc	Black PC	MS	M10	20.0	Cap
DMACS-1078-25	Zinc	Black PC	MS	M10	25.0	Cap
DMACS-1078-30	Zinc	Black PC	MS	M10	30.0	Cap
DMACS-1078-32	Zinc	Black PC	MS	M10	32.0	Cap
DMACS-1078-40	Zinc	Black PC	MS	M10	40.0	Cap
DMACS-1078-50	Zinc	Black PC	MS	M10	50.0	Cap
DMACS-1078-63	Zinc	Black PC	MS	M10	63.0	Cap
DMACS-1078-70	Zinc	Black PC	MS	M10	70.0	Cap
DMACS-1078-80	Zinc	Black PC	MS	M10	80.0	Cap
DMACS-1078-100	Zinc	Black PC	MS	M10	100.0	Cap
DMACS-1078-110	Zinc	Black PC	MS	M10	110.0	Cap
DMACS-1078-120	Zinc	Black PC	MS	M10	120.0	Cap
DMACS-1278-63	Zinc	Black PC	MS	M12	63.0	Cap

The Stud is engaged via serrations with the Handle.

Push the Button & Lift the Handle upwards to disengage the serrations and adjust the Handle position.

On releasing the Handle, return spring automatically engages the serrations once again.

Standard Colour for Handle is Black.

Studs : M.S. Toughened Green Plated.

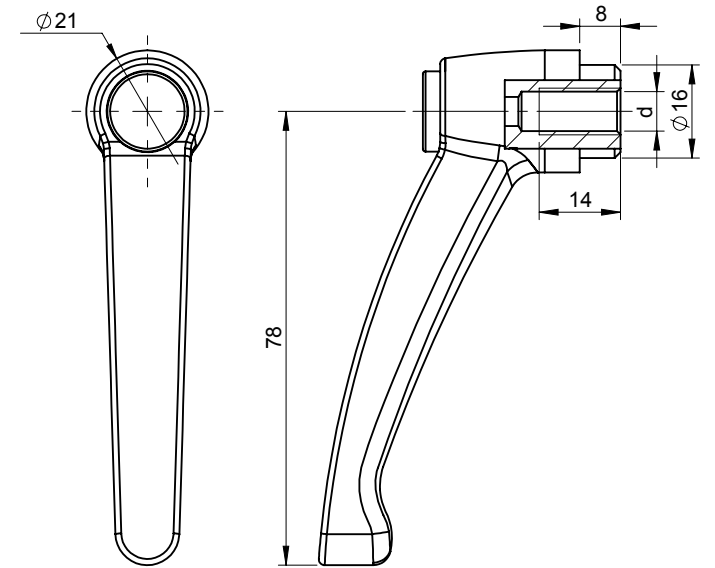
Stainless Steel Studs are available on minimum order of 100 nos.

Standard Colour for Cap is Black.

Blue, Orange & Green caps are also available.

Handles

Adjustable Handle



Product Code	Material	Colour	Insert Material	Insert Size (d)	Version
DMACI-0878	Zinc	Black PC	MS	M8	Cap
DMACI-1078	Zinc	Black PC	MS	M10	Cap

The Insert is engaged via serrations with the Handle.

Push the Button & Lift the Handle upwards to disengage the serrations and adjust the Handle position.

On releasing the Handle, return spring automatically engages the serrations once again.

Standard Colour for Handle is Black.

Insert : M.S. Toughened Green Plated.

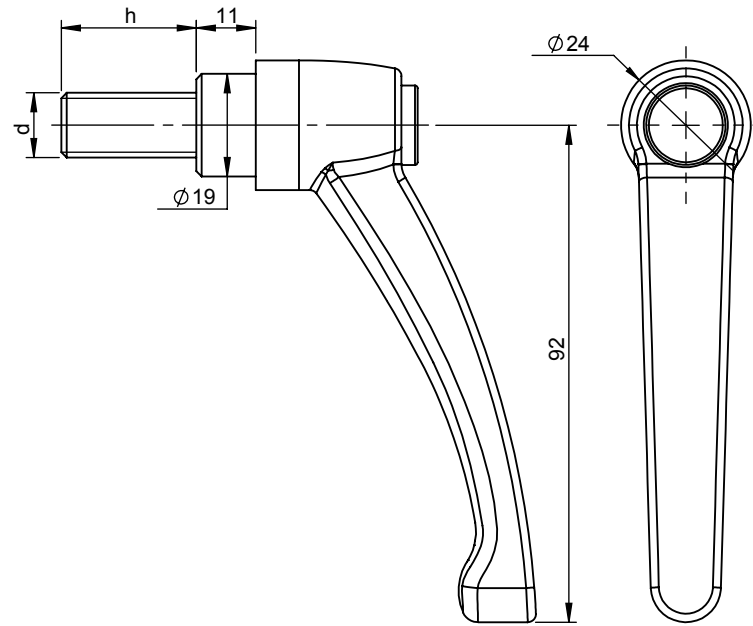
Stainless Steel Insert are available on minimum order of 100 nos.

Standard Colour for Cap is Black.

Blue, Orange & Green caps are also available.

Handles

Adjustable Handle



Product Code	Material	Colour	Stud Material	Stud Size (d)	Stud Length (h)	Version
DMACS-1092-50	Zinc	Black PC	MS	M10	50.0	Cap
DMACS-1292-20	Zinc	Black PC	MS	M12	20.0	Cap
DMACS-1292-25	Zinc	Black PC	MS	M12	25.0	Cap
DMACS-1292-32	Zinc	Black PC	MS	M12	32.0	Cap
DMACS-1292-40	Zinc	Black PC	MS	M12	40.0	Cap
DMACS-1292-50	Zinc	Black PC	MS	M12	50.0	Cap
DMACS-1292-63	Zinc	Black PC	MS	M12	63.0	Cap
DMACS-1292-80	Zinc	Black PC	MS	M12	80.0	Cap

The Stud is engaged via serrations with the Handle.

Push the Button & Lift the Handle upwards to disengage the serrations and adjust the Handle position.

On releasing the Handle, return spring automatically engages the serrations once again.

Standard Colour for Handle is Black.

Studs : M.S. Toughened Green Plated.

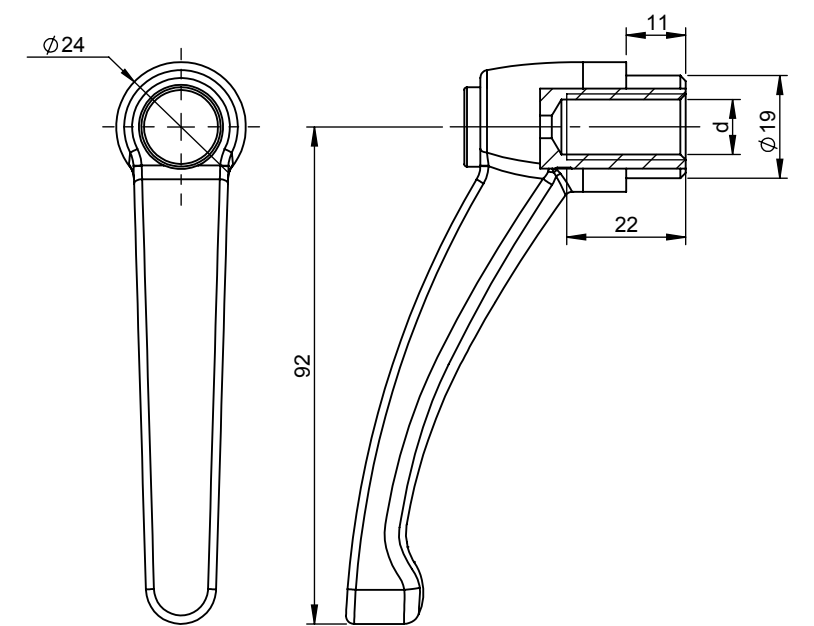
Stainless Steel Studs are available on minimum order of 100 nos.

Standard Colour for Cap is Black.

Blue, Orange & Green caps are also available.

Handles

Adjustable Handle



Product Code	Material	Colour	Insert Material	Insert Size (d)	Version
DMACI-1092	Zinc	Black PC	MS	M10	Cap
DMACI-1292	Zinc	Black PC	MS	M12	Cap

The Insert is engaged via serrations with the Handle.

Push the Button & Lift the Handle upwards to disengage the serrations and adjust the Handle position.

On releasing the Handle, return spring automatically engages the serrations once again.

Standard Colour for Handle is Black.

Insert : M.S. Toughened Green Plated.

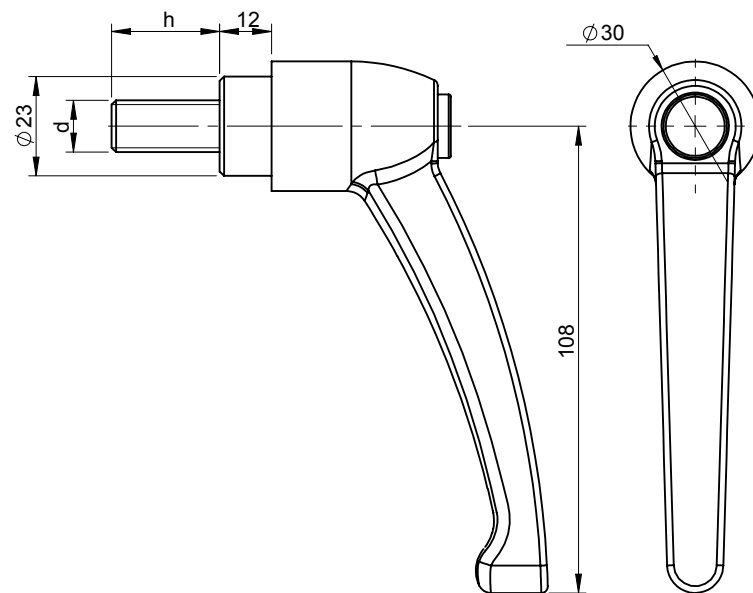
Stainless Steel Insert are available on minimum order of 100 nos.

Standard Colour for Cap is Black.

Blue, Orange & Green caps are also available.

Handles

Adjustable Handle



Product Code	Material	Colour	Stud Material	Stud Size (d)	Stud Length (h)	Version
DMACS-12108-40	Zinc	Black PC	MS	M12	40.0	Cap
DMACS-12108-63	Zinc	Black PC	MS	M12	63.0	Cap
DMACS-12108-80	Zinc	Black PC	MS	M12	80.0	Cap
DMACS-16108-40	Zinc	Black PC	MS	M16	40.0	Cap
DMACS-16108-63	Zinc	Black PC	MS	M16	63.0	Cap
DMACS-16108-80	Zinc	Black PC	MS	M16	80.0	Cap

The Stud is engaged via serrations with the Handle.

Push the Button & Lift the Handle upwards to disengage the serrations and adjust the Handle position.

On releasing the Handle, return spring automatically engages the serrations once again.

Standard Colour for Handle is Black.

Studs : M.S. Toughened Green Plated.

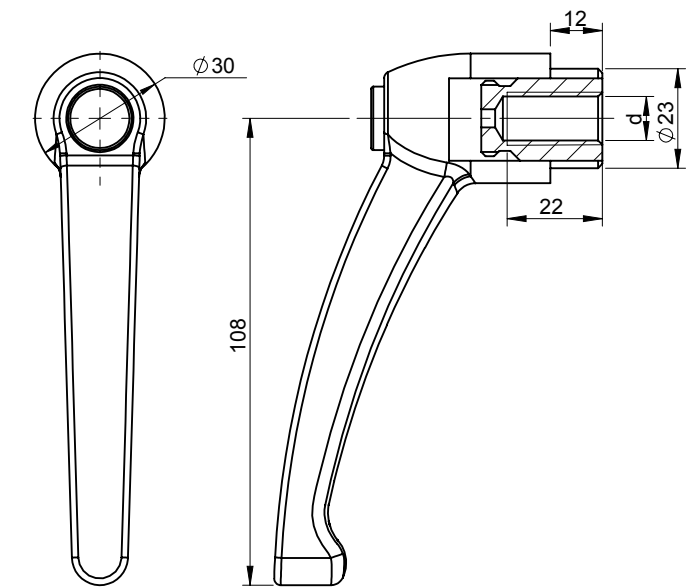
Stainless Steel Studs are available on minimum order of 100 nos.

Standard Colour for Cap is Black.

Blue, Orange & Green caps are also available.

Handles

Adjustable Handle



Product Code	Material	Colour	Insert Material	Insert Size (d)	Version
DMACI-12108	Zinc	Black PC	MS	M12	Cap
DMACI-14108	Zinc	Black PC	MS	M14	Cap

The Insert is engaged via serrations with the Handle.

Push the Button & Lift the Handle upwards to disengage the serrations and adjust the Handle position.

On releasing the Handle, return spring automatically engages the serrations once again.

Standard Colour for Handle is Black.

Insert : M.S. Toughened Green Plated.

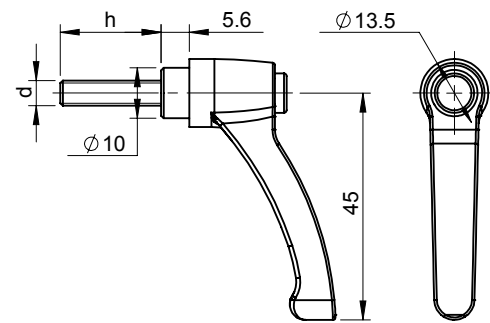
Stainless Steel Insert are available on minimum order of 100 nos.

Standard Colour for Cap is Black.

Blue, Orange & Green caps are also available.

Handles

Adjustable Handle



Product Code	Material	Colour	Stud Material	Stud Size (d)	Stud Length (h)	Version
DMAOS-0545-12	Zinc	Black PC	MS	M5	12.0	Cap
DMAOS-0545-16	Zinc	Black PC	MS	M5	16.0	Cap
DMAOS-0545-20	Zinc	Black PC	MS	M5	20.0	Cap
DMAOS-0545-25	Zinc	Black PC	MS	M5	25.0	Cap
DMAOS-0545-32	Zinc	Black PC	MS	M5	32.0	Cap
DMAOS-0545-40	Zinc	Black PC	MS	M5	40.0	Cap
DMAOS-0545-50	Zinc	Black PC	MS	M5	50.0	Cap
DMAOS-0645-12	Zinc	Black PC	MS	M6	12.0	Cap
DMAOS-0645-16	Zinc	Black PC	MS	M6	16.0	Cap
DMAOS-0645-20	Zinc	Black PC	MS	M6	20.0	Cap
DMAOS-0645-25	Zinc	Black PC	MS	M6	25.0	Cap
DMAOS-0645-32	Zinc	Black PC	MS	M6	32.0	Cap
DMAOS-0645-35	Zinc	Black PC	MS	M6	35.0	Cap
DMAOS-0645-40	Zinc	Black PC	MS	M6	40.0	Cap
DMAOS-0645-50	Zinc	Black PC	MS	M6	50.0	Cap

The Stud is engaged via serrations with the Handle.

Push the Button & Lift the Handle upwards to disengage the serrations and adjust the Handle position.

On releasing the Handle, return spring automatically engages the serrations once again.

Standard Colour for Handle is Black.

Studs : M.S. Toughened Green Plated.

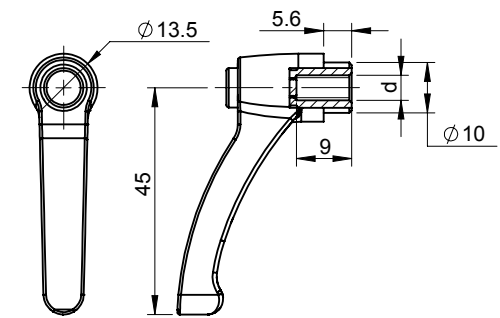
Stainless Steel Studs are available on minimum order of 100 nos.

Standard Colour for Cap is Black.

Blue, Orange & Green caps are also available.

Handles

Adjustable Handle



Product Code	Material	Colour	Insert Material	Insert Size (d)	Version
DMAOI-0445	Zinc	Black PC	MS	M4	Cap
DMAOI-0545	Zinc	Black PC	MS	M5	Cap
DMAOI-0645	Zinc	Black PC	MS	M6	Cap

The Insert is engaged via serrations with the Handle.

Push the Button & Lift the Handle upwards to disengage the serrations and adjust the Handle position.

On releasing the Handle, return spring automatically engages the serrations once again.

Standard Colour for Handle is Black.

Insert : M.S. Toughened Green Plated.

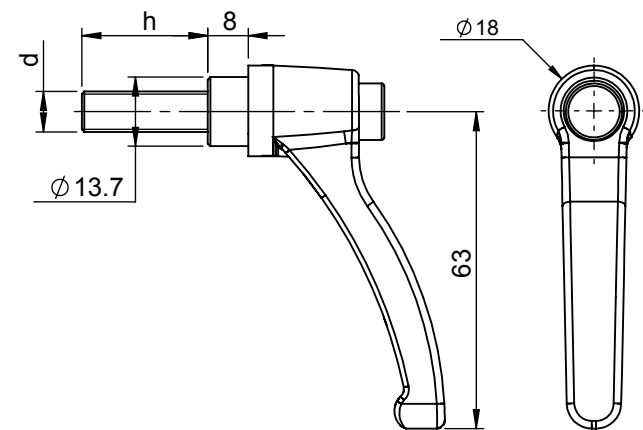
Stainless Steel Insert are available on minimum order of 100 nos.

Standard Colour for Cap is Black.

Blue, Orange & Green caps are also available.

Handles

Adjustable Handle



Product Code	Material	Colour	Stud Material	Stud Size (d)	Stud Length (h)	Version
DMAOS-0863-16	Zinc	Black PC	MS	M8	16.0	Cap
DMAOS-0863-20	Zinc	Black PC	MS	M8	20.0	Cap
DMAOS-0863-25	Zinc	Black PC	MS	M8	25.0	Cap
DMAOS-0863-32	Zinc	Black PC	MS	M8	32.0	Cap
DMAOS-0863-35	Zinc	Black PC	MS	M8	35.0	Cap
DMAOS-0863-40	Zinc	Black PC	MS	M8	40.0	Cap
DMAOS-0863-50	Zinc	Black PC	MS	M8	50.0	Cap
DMAOS-0863-63	Zinc	Black PC	MS	M8	63.0	Cap
DMAOS-0863-70	Zinc	Black PC	MS	M8	70.0	Cap
DMAOS-0863-90	Zinc	Black PC	MS	M8	90.0	Cap
DMAOS-0863-100	Zinc	Black PC	MS	M8	100.0	Cap

The Stud is engaged via serrations with the Handle.

Push the Button & Lift the Handle upwards to disengage the serrations and adjust the Handle position.

On releasing the Handle, return spring automatically engages the serrations once again.

Standard Colour for Handle is Black.

Studs : M.S. Toughened Green Plated.

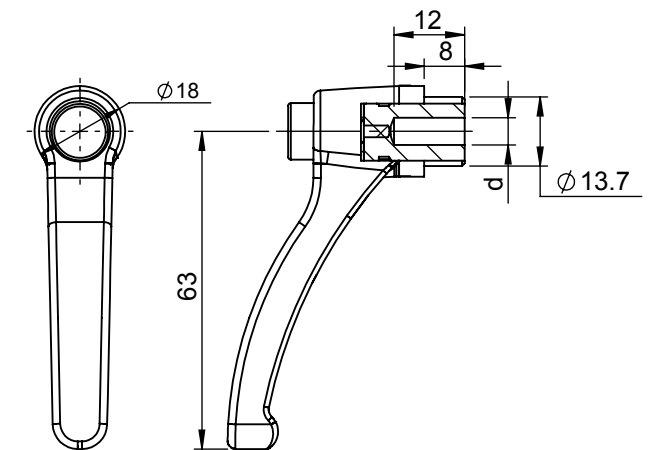
Stainless Steel Studs are available on minimum order of 100 nos.

Standard Colour for Cap is Black.

Blue, Orange & Green caps are also available.

Handles

Adjustable Handle



Product Code	Material	Colour	Insert Material	Insert Size (d)	Version
DMAOI-0663	Zinc	Black PC	MS	M6	Cap
DMAOI-0863	Zinc	Black PC	MS	M8	Cap

The Insert is engaged via serrations with the Handle.

Push the Button & Lift the Handle upwards to disengage the serrations and adjust the Handle position.

On releasing the Handle, return spring automatically engages the serrations once again.

Standard Colour for Handle is Black.

Insert : M.S. Toughened Green Plated.

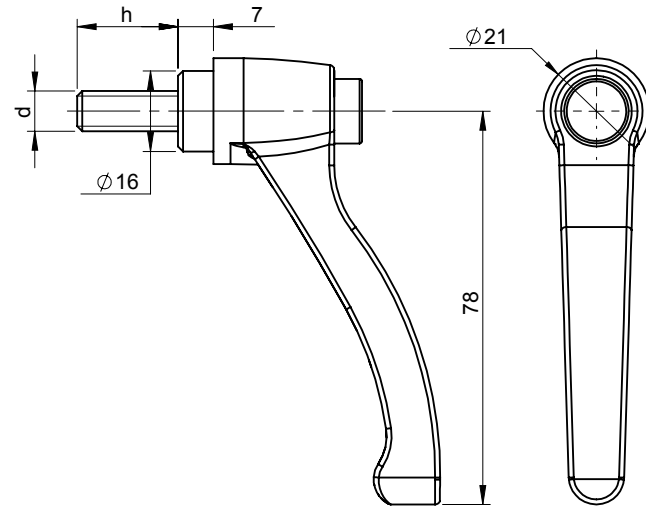
Stainless Steel Insert are available on minimum order of 100 nos.

Standard Colour for Cap is Black.

Blue, Orange & Green caps are also available.

Handles

Adjustable Handle



Product Code	Material	Colour	Stud Material	Stud Size (d)	Stud Length (h)	Version
DMAOS-1078-20	Zinc	Black PC	MS	M10	20.0	Cap
DMAOS-1078-25	Zinc	Black PC	MS	M10	25.0	Cap
DMAOS-1078-30	Zinc	Black PC	MS	M10	30.0	Cap
DMAOS-1078-32	Zinc	Black PC	MS	M10	32.0	Cap
DMAOS-1078-40	Zinc	Black PC	MS	M10	40.0	Cap
DMAOS-1078-50	Zinc	Black PC	MS	M10	50.0	Cap
DMAOS-1078-63	Zinc	Black PC	MS	M10	63.0	Cap
DMAOS-1078-70	Zinc	Black PC	MS	M10	70.0	Cap
DMAOS-1078-80	Zinc	Black PC	MS	M10	80.0	Cap
DMAOS-1078-100	Zinc	Black PC	MS	M10	100.0	Cap
DMAOS-1078-110	Zinc	Black PC	MS	M10	110.0	Cap
DMAOS-1078-120	Zinc	Black PC	MS	M10	120.0	Cap
DMAOS-1278-63	Zinc	Black PC	MS	M12	63.0	Cap

The Stud is engaged via serrations with the Handle.

Push the Button & Lift the Handle upwards to disengage the serrations and adjust the Handle position.

On releasing the Handle, return spring automatically engages the serrations once again.

Standard Colour for Handle is Black.

Studs : M.S. Toughened Green Plated.

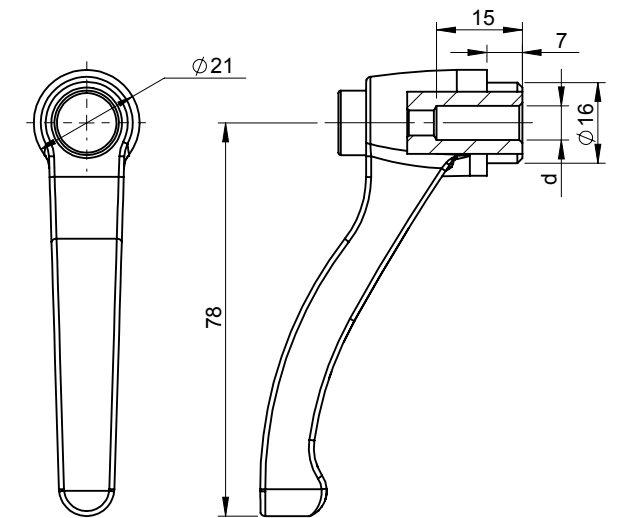
Stainless Steel Studs are available on minimum order of 100 nos.

Standard Colour for Cap is Black.

Blue, Orange & Green caps are also available.

Handles

Adjustable Handle



Product Code	Material	Colour	Insert Material	Insert Size (d)	Version
DMAOI-0878	Zinc	Black PC	MS	M8	Cap
DMAOI-1078	Zinc	Black PC	MS	M10	Cap

The Insert is engaged via serrations with the Handle.

Push the Button & Lift the Handle upwards to disengage the serrations and adjust the Handle position.

On releasing the Handle, return spring automatically engages the serrations once again.

Standard Colour for Handle is Black.

Insert : M.S. Toughened Green Plated.

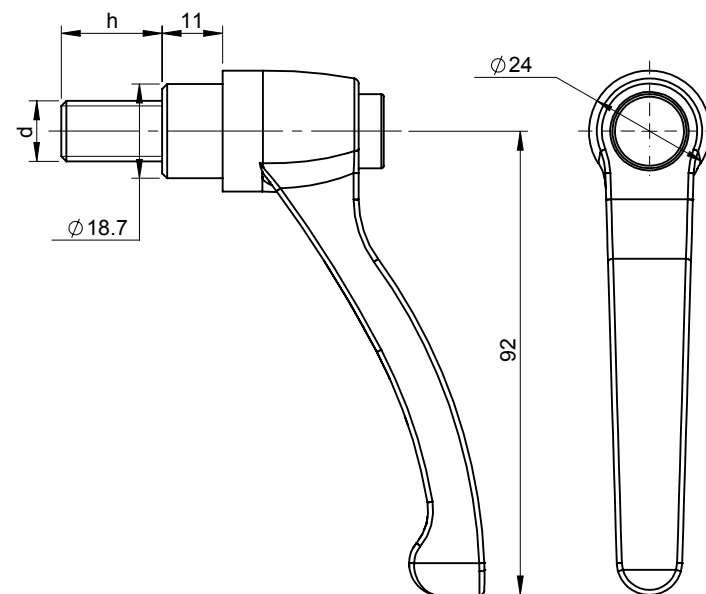
Stainless Steel Insert are available on minimum order of 100 nos.

Standard Colour for Cap is Black.

Blue, Orange & Green caps are also available.

Handles

Adjustable Handle



Product Code	Material	Colour	Stud Material	Stud Size (d)	Stud Length (h)	Version
DMAOS-1292-20	Zinc	Black PC	MS	M12	20.0	Cap
DMAOS-1292-25	Zinc	Black PC	MS	M12	25.0	Cap
DMAOS-1292-32	Zinc	Black PC	MS	M12	32.0	Cap
DMAOS-1292-40	Zinc	Black PC	MS	M12	40.0	Cap
DMAOS-1292-50	Zinc	Black PC	MS	M12	50.0	Cap
DMAOS-1292-63	Zinc	Black PC	MS	M12	63.0	Cap
DMAOS-1292-80	Zinc	Black PC	MS	M12	80.0	Cap

The Stud is engaged via serrations with the Handle.

Push the Button & Lift the Handle upwards to disengage the serrations and adjust the Handle position.

On releasing the Handle, return spring automatically engages the serrations once again.

Standard Colour for Handle is Black.

Studs : M.S. Toughened Green Plated.

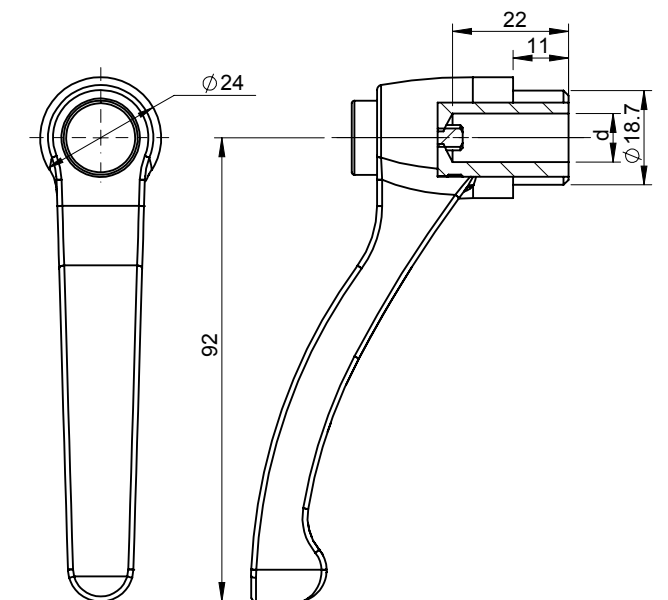
Stainless Steel Studs are available on minimum order of 100 nos.

Standard Colour for Cap is Black.

Blue, Orange & Green caps are also available.

Handles

Adjustable Handle



Product Code	Material	Colour	Insert Material	Insert Size (d)	Version
DMAOI-1092	Zinc	Black PC	MS	M10	Cap
DMAOI-1292	Zinc	Black PC	MS	M12	Cap

The Insert is engaged via serrations with the Handle.

Push the Button & Lift the Handle upwards to disengage the serrations and adjust the Handle position.

On releasing the Handle, return spring automatically engages the serrations once again.

Standard Colour for Handle is Black.

Insert : M.S. Toughened Green Plated.

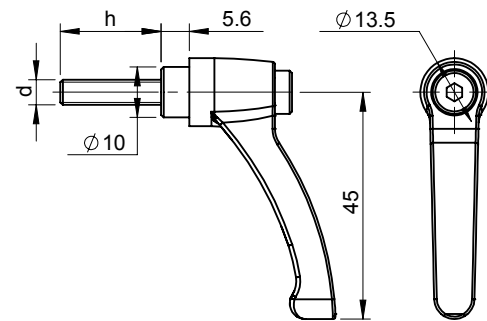
Stainless Steel Insert are available on minimum order of 100 nos.

Standard Colour for Cap is Black.

Blue, Orange & Green caps are also available.

Handles

Adjustable Handle



Product Code	Material	Colour	Stud Material	Stud Size (d)	Stud Length (h)	Version
DMAOLS-0545-12	Zinc	Black PC	MS	M5	12.0	Allen
DMAOLS-0545-16	Zinc	Black PC	MS	M5	16.0	Allen
DMAOLS-0545-20	Zinc	Black PC	MS	M5	20.0	Allen
DMAOLS-0545-25	Zinc	Black PC	MS	M5	25.0	Allen
DMAOLS-0545-32	Zinc	Black PC	MS	M5	32.0	Allen
DMAOLS-0545-40	Zinc	Black PC	MS	M5	40.0	Allen
DMAOLS-0545-50	Zinc	Black PC	MS	M5	50.0	Allen
DMAOLS-0645-12	Zinc	Black PC	MS	M6	12.0	Allen
DMAOLS-0645-16	Zinc	Black PC	MS	M6	16.0	Allen
DMAOLS-0645-20	Zinc	Black PC	MS	M6	20.0	Allen
DMAOLS-0645-25	Zinc	Black PC	MS	M6	25.0	Allen
DMAOLS-0645-32	Zinc	Black PC	MS	M6	32.0	Allen
DMAOLS-0645-35	Zinc	Black PC	MS	M6	35.0	Allen
DMAOLS-0645-40	Zinc	Black PC	MS	M6	40.0	Allen
DMAOLS-0645-50	Zinc	Black PC	MS	M6	50.0	Allen

The Stud is engaged via serrations with the Handle.

Push the Button & Lift the Handle upwards to disengage the serrations and adjust the Handle position.

On releasing the Handle, return spring automatically engages the serrations once again.

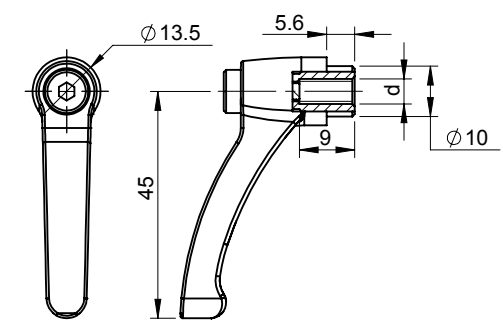
Standard Colour for Handle is Black.

Studs : M.S. Toughened Green Plated.

Stainless Steel Studs are available on minimum order of 100 nos.

Handles

Adjustable Handle



Product Code	Material	Colour	Insert Material	Insert Size (d)	Version
DMAOLI-0445	Zinc	Black PC	MS	M4	Allen
DMAOLI-0545	Zinc	Black PC	MS	M5	Allen
DMAOLI-0645	Zinc	Black PC	MS	M6	Allen

The Insert is engaged via serrations with the Handle.

Push the Button & Lift the Handle upwards to disengage the serrations and adjust the Handle position.

On releasing the Handle, return spring automatically engages the serrations once again.

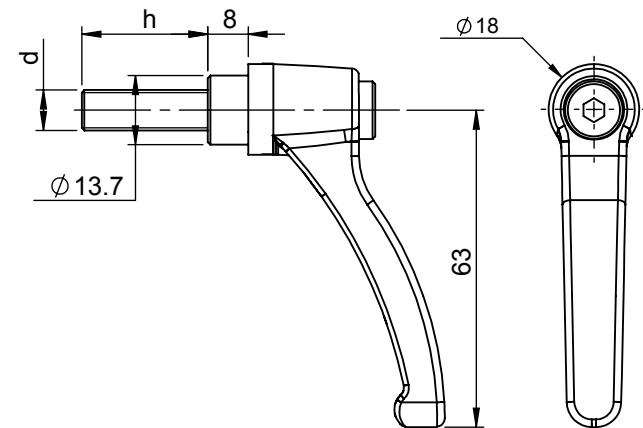
Standard Colour for Handle is Black.

Insert : M.S. Toughened Green Plated.

Stainless Steel Insert are available on minimum order of 100 nos.

Handles

Adjustable Handle



Product Code	Material	Colour	Stud Material	Stud Size (d)	Stud Length (h)	Version
DMAOLS-0863-16	Zinc	Black PC	MS	M8	16.0	Allen
DMAOLS-0863-20	Zinc	Black PC	MS	M8	20.0	Allen
DMAOLS-0863-25	Zinc	Black PC	MS	M8	25.0	Allen
DMAOLS-0863-32	Zinc	Black PC	MS	M8	32.0	Allen
DMAOLS-0863-35	Zinc	Black PC	MS	M8	35.0	Allen
DMAOLS-0863-40	Zinc	Black PC	MS	M8	40.0	Allen
DMAOLS-0863-50	Zinc	Black PC	MS	M8	50.0	Allen
DMAOLS-0863-63	Zinc	Black PC	MS	M8	63.0	Allen
DMAOLS-0863-70	Zinc	Black PC	MS	M8	70.0	Allen
DMAOLS-0863-90	Zinc	Black PC	MS	M8	90.0	Allen
DMAOLS-0863-100	Zinc	Black PC	MS	M8	100.0	Allen

The Stud is engaged via serrations with the Handle.

Push the Button & Lift the Handle upwards to disengage the serrations and adjust the Handle position.

On releasing the Handle, return spring automatically engages the serrations once again.

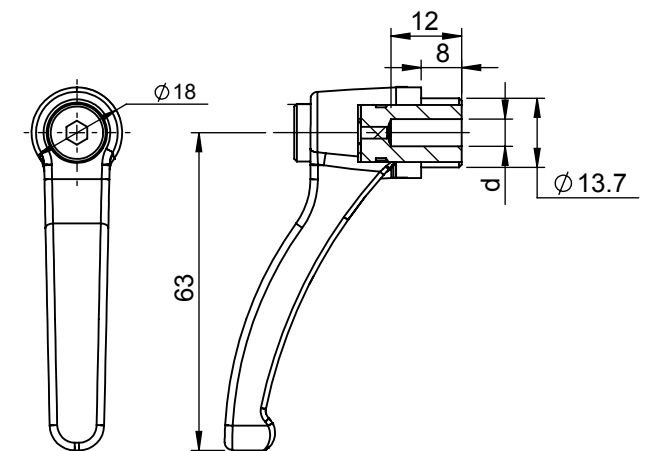
Standard Colour for Handle is Black.

Studs : M.S. Toughened Green Plated.

Stainless Steel Studs are available on minimum order of 100 nos.

Handles

Adjustable Handle



Product Code	Material	Colour	Insert Material	Insert Size (d)	Version
DMAOLI-0663	Zinc	Black PC	MS	M6	Allen
DMAOLI-0863	Zinc	Black PC	MS	M8	Allen

The Insert is engaged via serrations with the Handle.

Push the Button & Lift the Handle upwards to disengage the serrations and adjust the Handle position.

On releasing the Handle, return spring automatically engages the serrations once again.

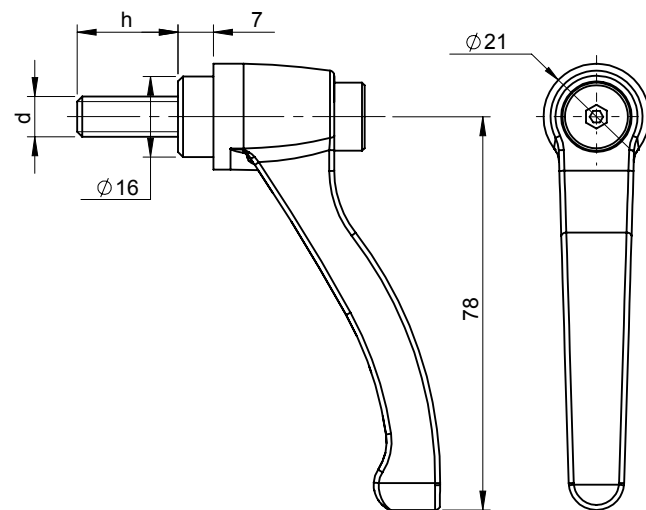
Standard Colour for Handle is Black.

Insert : M.S. Toughened Green Plated.

Stainless Steel Inserts are available on minimum order of 100 nos.

Handles

Adjustable Handle



Product Code	Material	Colour	Stud Material	Stud Size (d)	Stud Length (h)	Version
DMAOLS-1078-20	Zinc	Black PC	MS	M10	20.0	Allen
DMAOLS-1078-25	Zinc	Black PC	MS	M10	25.0	Allen
DMAOLS-1078-30	Zinc	Black PC	MS	M10	30.0	Allen
DMAOLS-1078-32	Zinc	Black PC	MS	M10	32.0	Allen
DMAOLS-1078-40	Zinc	Black PC	MS	M10	40.0	Allen
DMAOLS-1078-50	Zinc	Black PC	MS	M10	50.0	Allen
DMAOLS-1078-63	Zinc	Black PC	MS	M10	63.0	Allen
DMAOLS-1078-70	Zinc	Black PC	MS	M10	70.0	Allen
DMAOLS-1078-80	Zinc	Black PC	MS	M10	80.0	Allen
DMAOLS-1078-100	Zinc	Black PC	MS	M10	100.0	Allen
DMAOLS-1078-110	Zinc	Black PC	MS	M10	110.0	Allen
DMAOLS-1078-120	Zinc	Black PC	MS	M10	120.0	Allen
DMAOLS-1278-63	Zinc	Black PC	MS	M12	63.0	Allen

The Stud is engaged via serrations with the Handle.

Push the Button & Lift the Handle upwards to disengage the serrations and adjust the Handle position.

On releasing the Handle, return spring automatically engages the serrations once again.

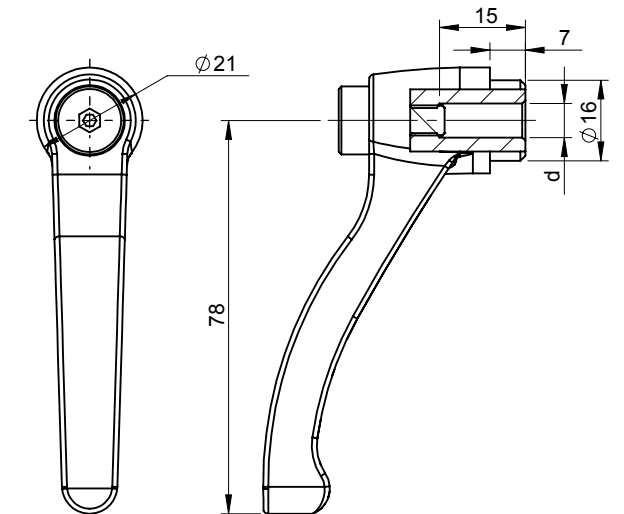
Standard Colour for Handle is Black.

Studs : M.S. Toughened Green Plated.

Stainless Steel Studs are available on minimum order of 100 nos.

Handles

Adjustable Handle



Product Code	Material	Colour	Insert Material	Insert Size (d)	Version
DMAOLI-0878	Zinc	Black PC	MS	M8	Allen
DMAOLI-1078	Zinc	Black PC	MS	M10	Allen

The Insert is engaged via serrations with the Handle.

Push the Button & Lift the Handle upwards to disengage the serrations and adjust the Handle position.

On releasing the Handle, return spring automatically engages the serrations once again.

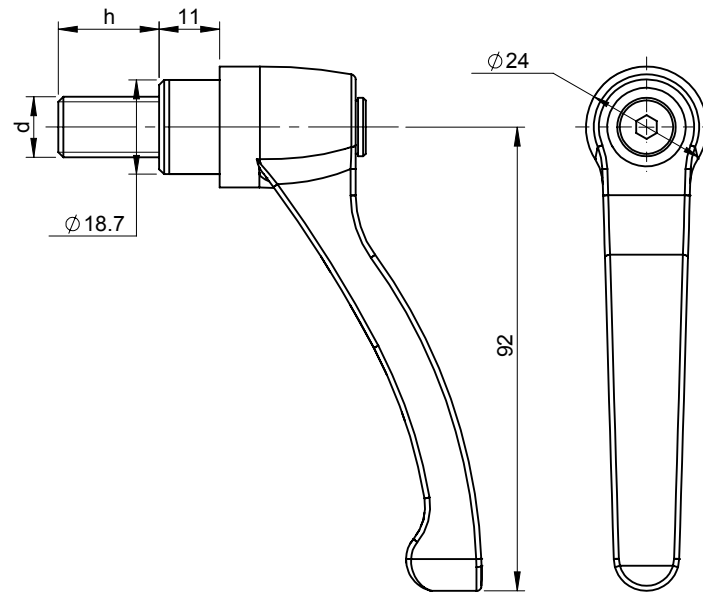
Standard Colour for Handle is Black.

Insert : M.S. Toughened Green Plated.

Stainless Steel Insert are available on minimum order of 100 nos.

Handles

Adjustable Handle



Product Code	Material	Colour	Stud Material	Stud Size (d)	Stud Length (h)	Version
DMAOLS-1292-20	Zinc	Black PC	MS	M12	20.0	Allen
DMAOLS-1292-25	Zinc	Black PC	MS	M12	25.0	Allen
DMAOLS-1292-32	Zinc	Black PC	MS	M12	32.0	Allen
DMAOLS-1292-40	Zinc	Black PC	MS	M12	40.0	Allen
DMAOLS-1292-50	Zinc	Black PC	MS	M12	50.0	Allen
DMAOLS-1292-63	Zinc	Black PC	MS	M12	63.0	Allen
DMAOLS-1292-80	Zinc	Black PC	MS	M12	80.0	Allen

The Stud is engaged via serrations with the Handle.

Push the Button & Lift the Handle upwards to disengage the serrations and adjust the Handle position.

On releasing the Handle, return spring automatically engages the serrations once again.

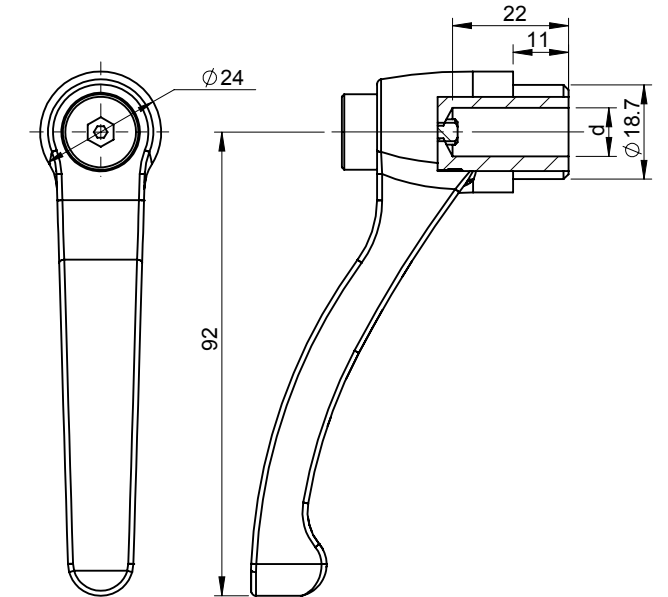
Standard Colour for Handle is Black.

Studs : M.S. Toughened Green Plated.

Stainless Steel Studs are available on minimum order of 100 nos.

Handles

Adjustable Handle



Product Code	Material	Colour	Insert Material	Insert Size (d)	Version
DMAOLI-1092	Zinc	Black PC	MS	M10	Allen
DMAOLI-1292	Zinc	Black PC	MS	M12	Allen

The Insert is engaged via serrations with the Handle.

Push the Button & Lift the Handle upwards to disengage the serrations and adjust the Handle position.

On releasing the Handle, return spring automatically engages the serrations once again.

Standard Colour for Handle is Black.

Insert : M.S. Toughened Green Plated.

Stainless Steel Insert are available on minimum order of 100 nos.